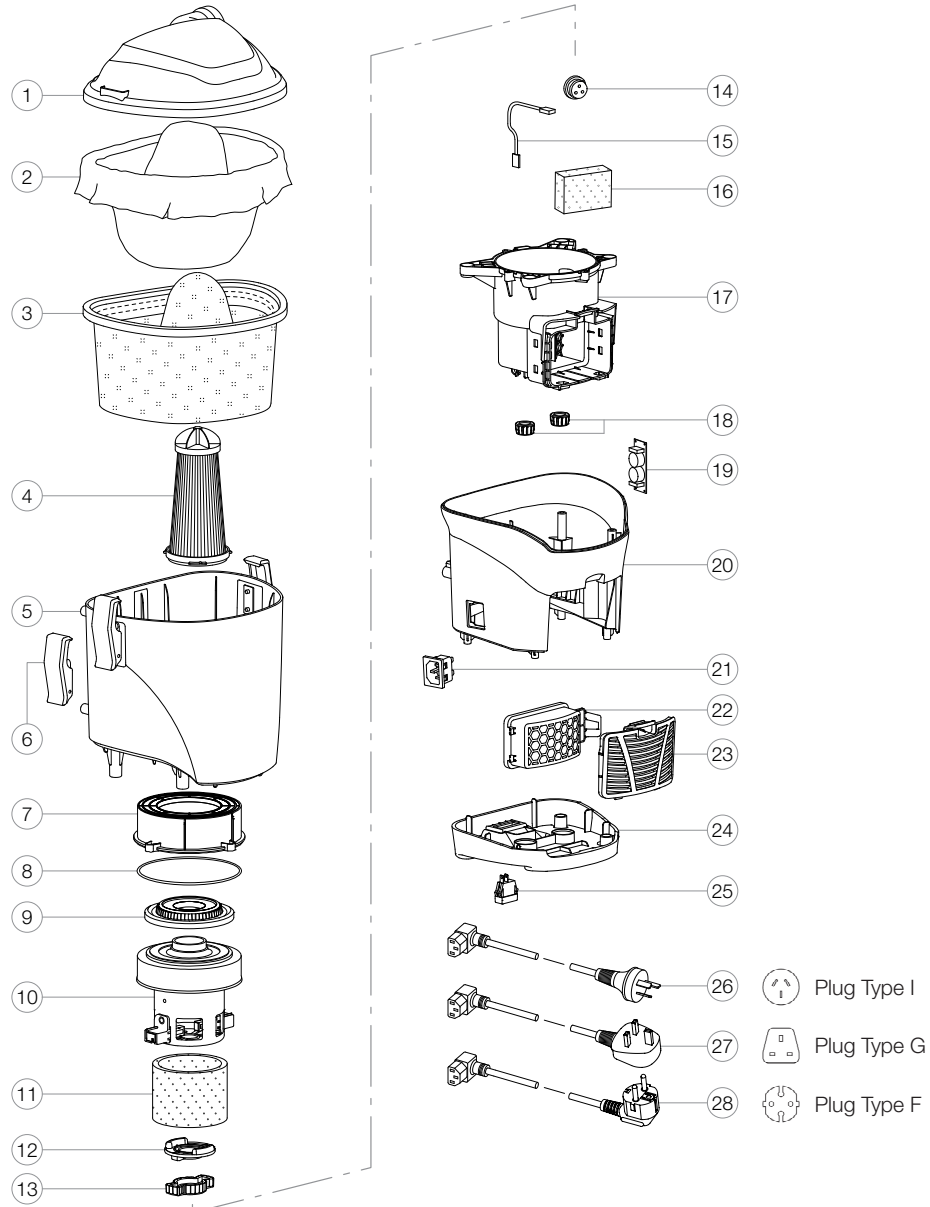


Parts Profile

Velo - 01VE002VB



Spare Parts

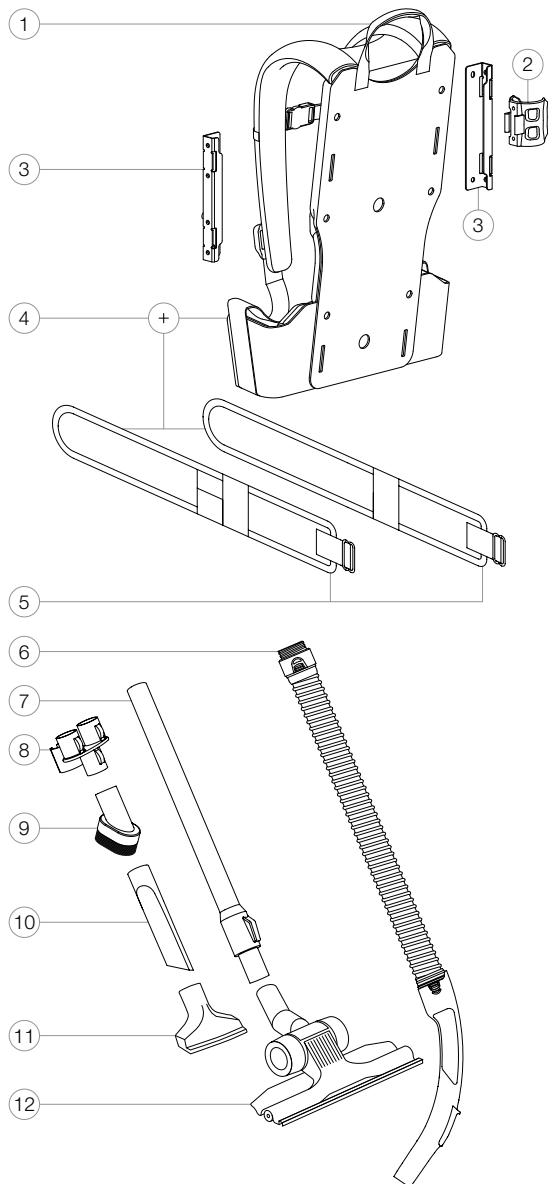
Quote these part numbers when ordering spare parts.

No.	Part Name	Part No.
1.	Clear offset lid	LID005
2.	Disposable paper dust bag 2.5L 10pk	DUB034
3.	Reusable SMS cone dust bag 2.5L (grey)	DUB032
4.	H13 HEPA Pre-motor cone filter 165mm	FIL030
5.	Velo canister	CAN018
6.	Latch assembly	LAT007
7.	Motor cover 146mm	COV023
8.	Rubber seal 392mm	SEA005
9.	Rubber gasket 99mm	GAS026
10.	900W Single-stage flow through motor	MOT021
11.	Gasket sponge 270mm	GAS033
12.	Insert motor fixer 50mm	INT020
13.	Rubber gasket 51mm	GAS027
14.	Rubber grommet 25mm	GRO007
15.	Wiring terminal 300mm	WIR022
16.	Gasket sponge 84x60mm	GAS034
17.	Intermediate housing	INH014
18.	Gasket 23mm	GAS031
19.	Electrical Component Assembly	ECA001
20.	Motor housing assembly	HOU010
21.	Panel mount power inlet C14	PWI002
22.	Filter exhaust assembly	FIL033
23.	Exhaust filter cover 113mm	COV025
24.	Bottom motor housing	BOT007
25.	Red switch On/Off	SWI012
26.	Power cord with vertical right angle C13 18m (plug type I)	PWC030
27.	Power cord with vertical right angle C13 18m (plug type G)	PWC031
28.	Power cord with vertical right angle C13 18m (plug type F)	PWC032

*Technical specifications, part numbers and part designs are subject to change without notice.

Parts Profile

Velo - 01VE002VB



Specifications

Model Name	Velo
Model No.	01VE002VB
Motor	900W single-stage flow through
Max Suction Power	192W
Volt/Frequency	220-240V~ 50Hz 900W
Noise Level (at ear)	65.3dB(A)
Filtration	4 stage; H13 HEPA filter (pre-motor)
Volumetric Airflow (Max.)	28.2L/s
Max Pressure	18.6kPa
Capacity	2.5L
Weight	3.9kg (excluding power cord assembly and hose)
Power Source	Mains, 18m power cord
Vibration Level	≤2.5m/s ²

Spare Parts

Quote these part numbers when ordering spare parts.

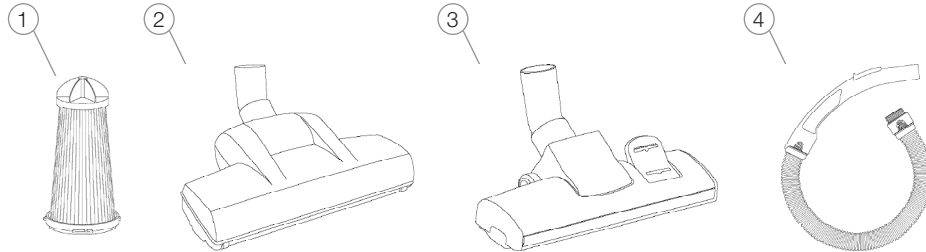
No.	Part Name	Part No.
1.	Harness	HAR007
2.	Wand holder clip	HOL025
3.	Steel plate connector	PLA006
4.	Ecoharness	HRT002
5.	Harness waistband	HAR008
6.	Screw fit hose (antistatic handpiece) 1.05m	HOA015
7.	Aluminium telescopic wand 920mm	WND007
8.	Wand tool holder	CLI007
9.	Dusting brush 32mm	ACC001
10.	Crevice tool 32mm	ACC002
11.	Upholstery tool 32mm	ACC003
12.	All purpose floor tool 285mm	FLT001

*Technical specifications, part numbers and part designs are subject to change without notice.

Optional Extras

Quote these part numbers when ordering spare parts.

No.	Part Name	Part No.
1.	Pre-motor cone filter 165mm	FIL027
2.	Turbo head floor tool 280mm	FLT007
3.	Combination floor tool 260mm	FLT016
4.	Screw fit hose (antistatic handpiece) 1.2m (2.5L)	HOA018



*Technical specifications, part numbers and part designs are subject to change without notice.