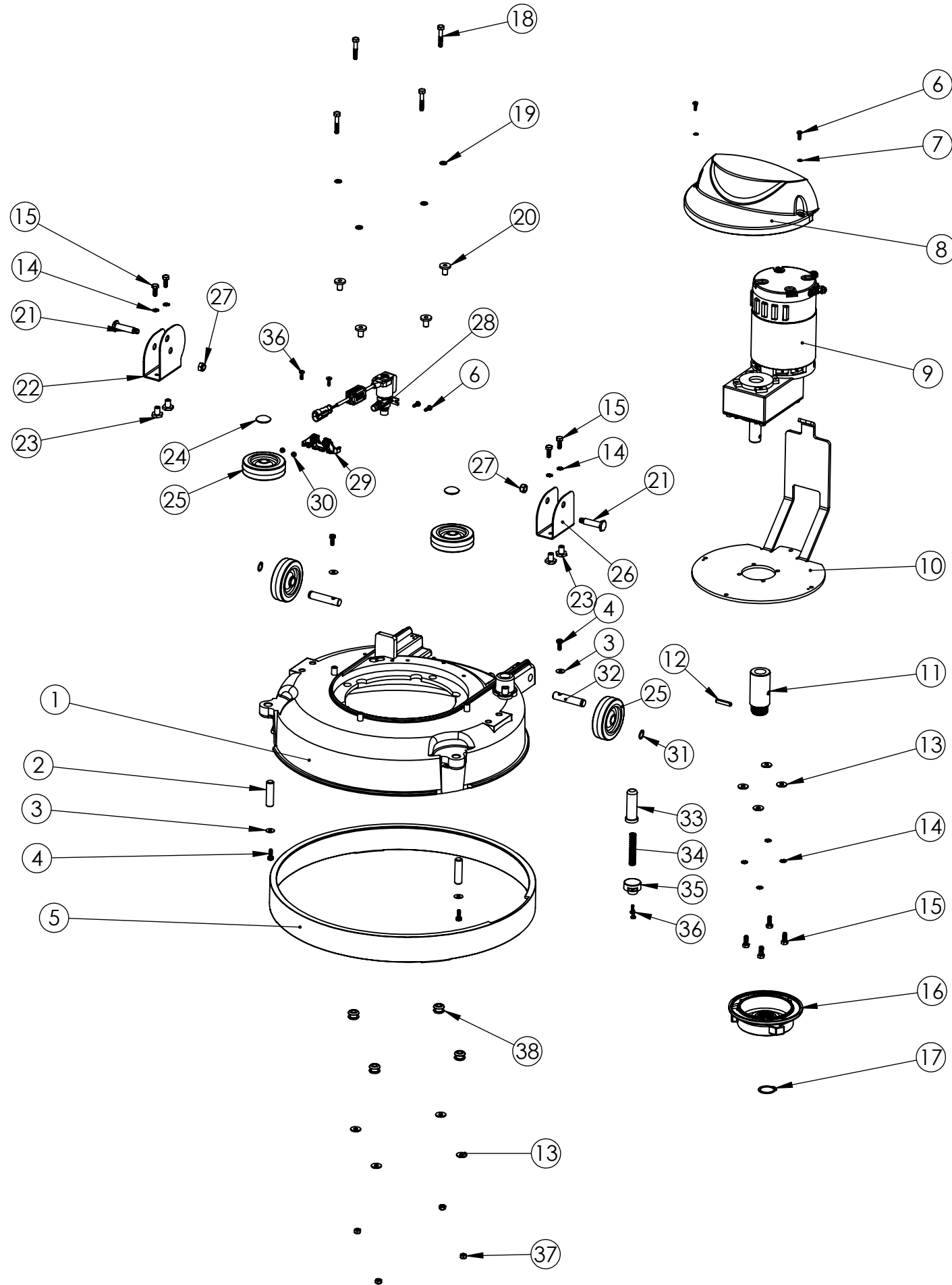


Numatic International Spare Parts

Model No: TTB 3045 NX BRUSH DECK EXPLODED DRAWING

NB: FOR WIRING SEE DRAWING: DRW-36752

913986
DRAWING: DRW-36512 ISS:A03
08/09/2022



Numatic International Spare Parts

Model No: TTB 3045 NX BRUSH DECK EXPLODED DRAWING

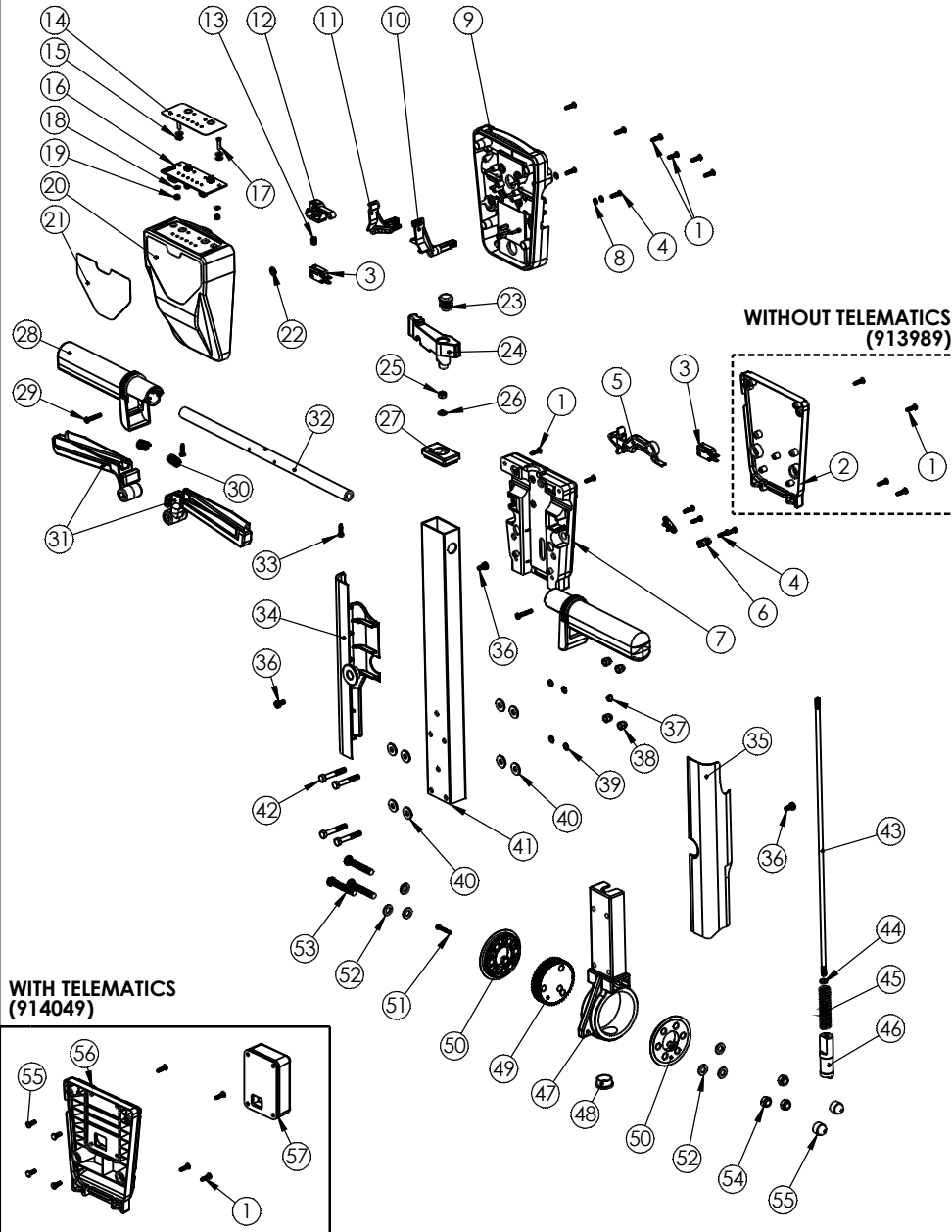
ITEM:	PART No:	DESCRIPTION	COMMENTS	QTY.
1	229258	TT 345 GRAPHITE BASE MOULDING		1
2	206013	BUFFER WHEEL PIN		2
3	219644	M5 FORM G STAINLESS STEEL WASHER		4
4	291132	M5 X 16MM LONG STAINLESS STEEL POZI PAN SEMS SCREW	Torque Setting 2.6NM	4
5	229644	450MM DIAMETER SPLASH SKIRT MOULDING		1
6	219890	M4 X 12MM LONG POZI PAN STAINLESS STEEL SCREW	Torque Setting 2.6NM	4
7	291145	M4 SHAKEPROOF WASHER STAINLESS STEEL		2
8	237380	AMER MOTOR COVER		1
9	913100	AMER MOTOR DCM-4222 36V PMDC 16:1		1
10	914306	TTB3045 NX 36V AMER MOTOR ADAPTOR PLATE PAINT SILVER GREY		1
11	208727	DRIVE SHAFT		1
12	291079	6MM X 30MM STAINLESS STEEL ROLL PIN		1
13	219647	M6 FORM G STAINLESS STEEL WASHER		8
14	902353	M6 EXTERNAL SHAKEPROOF WASHER STAINLESS STEEL		8
15	219719	M6 X 16MM LONG HEXAGONAL STAINLESS STEEL HEAD BOLT	Torque Setting 8NM	8
16	230207	DIE CAST CHUCK MACHINED		1
17	230048	26MM EXTERNAL CIRCLIP		1
18	291127	M6 X 35 LONG HEX BOLT STAINLESS STEEL	Torque Setting 8NM	4
19	219870	M6 FORM A WASHER STAINLESS STEEL		4
20	208011	MOTOR MOUNTING SPACER		4
21	206236	PIVOT PIN		2
22	392248	DECK MOUNT BRACKET		1
23	219606	BRACKET SPACER		4
24	204021	12.7MM STAINLESS STEEL HUB CAP		2
25	204068	3 INCH GREY WHEEL		4
26	392249	DECK MOUNT RH		1
27	219639	M8 STAINLESS STEEL NYLON INSERT NUT	Torque Setting 8NM	2
28	915039	SOLENOID CABLE & FERRITE ASSEMBLY		1
29	902556	SOLENOID MOUNT MOULDING		1
30	219687	M4 STAINLESS STEEL NYLON INSERT NUT		2
31	219345	12MM EXTERNAL CIRCLIP		2
32	229382	REAR WHEEL PIN		2
33	229128	PLUNGER MOULDING BLACK		1
34	219394	COMPRESSION SPRING		1
35	223242	PLUNGER MOUNTING PLATE MOULDING		1
36	219569	No8 X 1/2 INCH LONG POZI PAN STAINLESS STEEL PLASTITE SCREW	Torque Setting 2.6NM	4
37	219642	M6 STAINLESS STEEL NYLON INSERT HALF NUT	Torque Setting 8NM	4
38	229025	STANDARD GROMMET		4

Numatic International Spare Parts

Model No: TTB 3045 NX HANDLE ASSEMBLY EXPLODED DRAWING

NB: FOR WIRING SEE DRAWING: DRW-36752

913989, 914049
DRAWING: DRW-36522 ISS:A02
03/12/2021



Numatic International Spare Parts

Model No: TTB 3045 NX HANDLE ASSEMBLY EXPLODED DRAWING

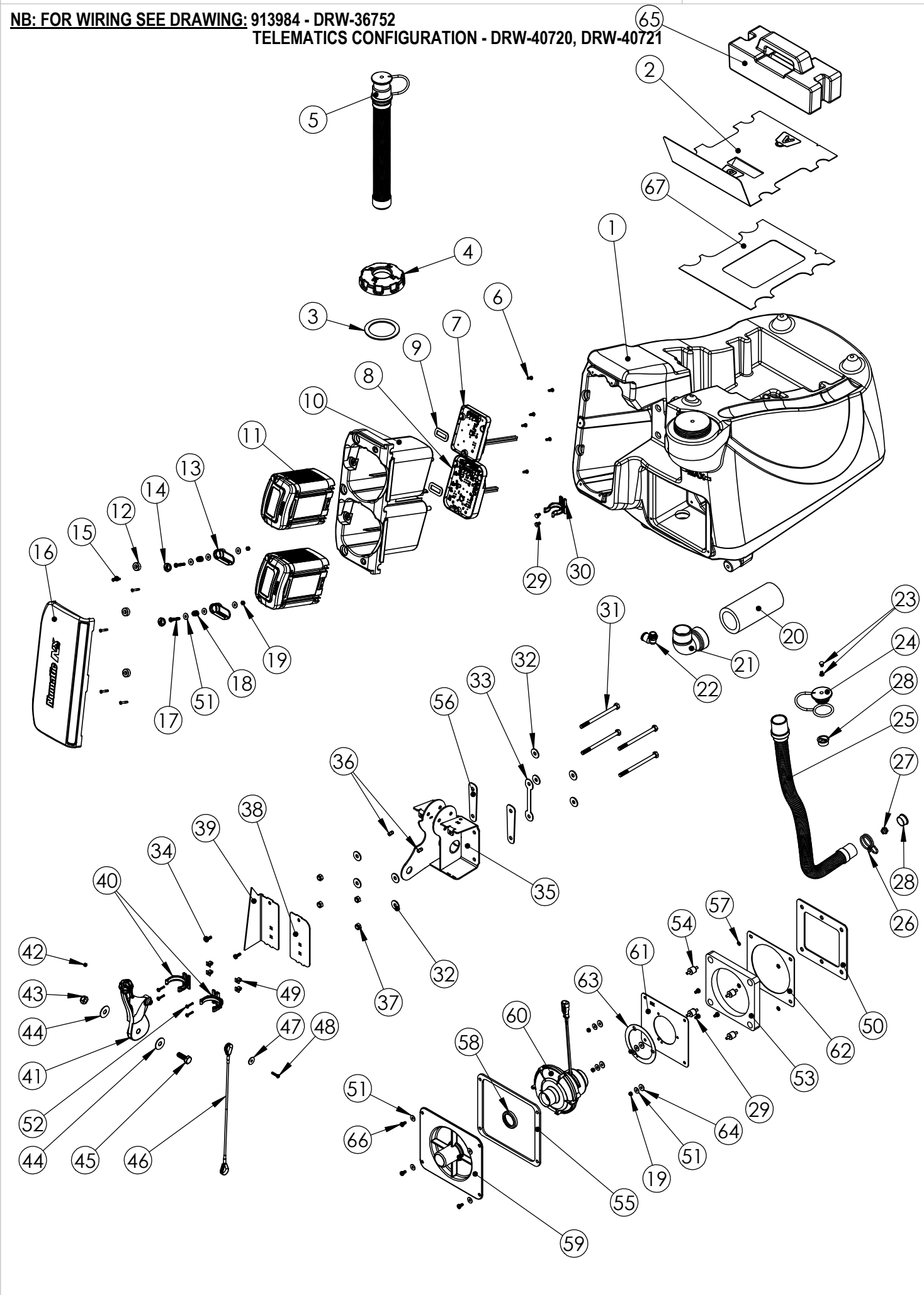
ITEM:	PART No:	DESCRIPTION:	COMMENTS:	QTY.
1	219370	No8 X 5/8 INCH LONG PLASTITE STAINLESS STEEL SCREW	Torque Setting 2.6NM	12
2	227579	REAR COVER MOULDING	STANDARD CONFIGURATION ONLY (913989)	1
3	229483	SNAP ACTION SWITCH		2
4	219107	NO6.5/8 INCH LG.POZI-PAN.SCREW.Z/PL.PLASTITE	Torque Setting 1.6NM	6
5	227584	INTERLOCK LEVER MOULDING		1
6	229669	LOLINE HANDLE CABLE CLAMP		2
7	229509	REAR INNER HALF MOULDING (FR)		1
8	219206	M4 FORM A WASHER		4
9	227576	FRONT INNER HALF MOULDING		1
10	227585	LEFT HAND SWITCH OPERATING LEVER MOULDING		1
11	227586	RIGHT HAND SWITCH OPERATING LEVER MOULDING		1
12	227587	CENTRE SWITCH OPERATING LEVER MOULDING		1
13	219804	SWITCH COMPRESSION SPRING		1
14	911348	TTB 1840 36V CONTROL PANEL OVERLAY		1
15	208521	NYLON WASHER 10.0 OD X 4.1 ID X 1.0MM		4
16	911543	ASSEMBLY.1840 DISPLAY		1
17	219407	M4 X 16MM LONG POZI PAN COUNTERSUNK SCREW		2
18	219688	M4 FORM A STAINLESS STEEL WASHER		2
19	219083	M4 NYLON INSERT NUT	Torque Setting 1.6NM	2
20	911562	TTB1840 36V FRONT COVER MOULDING		1
21	914736	TTB3045NX HANDLE FRONT LABEL	DOC-44472	1
22	219805	4MM SPIREFIX		1
23	20638V	19MM BLACK TUBE END STOP		1
24	903545	ADJUSTMENT LEVER MOULDING (RED)		1
25	219642	M6 STAINLESS STEEL NYLON INSERT NUT	Torque Setting 8NM	1
26	219493	M6 NYLON WASHER		1
27	903546	HANDLE PLUG MOULDING (RED)		1
28	227580	HAND GRIP MOULDING		2
29	219811	NO8 X 1 INCH LONG POZI-PAN SELF TAP SCREW	Torque Setting 2.6NM	2
30	219803	TRIGGER COMPRESSION SPRING		2
31	903547	TRIGGER MOULDING (RED)		2
32	338269	CROSS TUBE		1
33	219036	No8 X 5/8 INCH LONG POZI PAN SELF TAPPING SCREW	Torque Setting 2.6NM	2
34	237692	HANDLE CABLE COVER L/H		1
35	237693	HANDLE CABLE COVER R/H		1
36	291131	M5 X 12MM LONG STAINLESS STEEL POZI PAN SEMS SCREW	Torque Setting 2.6NM	3
37	229009	BLANKING PLUG		1
38	219764	M6 STAINLESS STEEL DOME NUT		4
39	902353	M6 EXTERNAL SHAKEPROOF WASHER STAINLESS STEEL		4
40	219647	M6 FORM G STAINLESS STEEL WASHER		8
41	903603	TGB/TTG 430MM PROCESSED ALI HANDLE PAINT SILVER		1
42	291125	M6 X 40 LONG HEX BOLT STAINLESS STEEL	Torque Setting 8NM	4
43	229461	440MM HANDLE LOCKING ROD		1
44	219099	M6 HALF NUT		1
45	229138	SPRING		1
46	229073	GEAR LOCKING PIN		1
47	900398	HANDLE CASTING MACHINED (HNS VERSION)		1
48	229099	25MM DIA HOLE PLUG		1
49	900397	MINI ADJUSTMENT GEAR		1
50	900396	ADJUSTMENT GEAR SPACER		2
51	291150	NO6 X 1 INCH LONG POZI PAN SCREW S/S	Torque Setting 1.6NM	1
52	219578	M8 FORM A STAINLESS STEEL WASHER		6
53	219922	M8 X 50MM LONG SOCKET BUTTON HEAD STAINLESS STEEL BOLT		3
54	219639	M8 STAINLESS STEEL NYLON INSERT NUT	Torque Setting 8NM	3
55	903260	M8 BOLT AND NUT CAP		2
56	219569	No8 X 1/2 INCH LONG POZI PAN STAINLESS STEEL TAPITITE SCREW	Torque Setting 2.6NM TELEMATICS CONFIGURATION ONLY (914049)	4
57	912946	TTB1840 HANDLE REAR COVER - TELEMATICS	TELEMATICS CONFIGURATION ONLY (914049)	1
58	911544	TELEMATICS MODULE ASSEMBLY - ANTHRACITE GREY	TELEMATICS CONFIGURATION ONLY (914049)	1

Numatic International Spare Parts

Model No: TTB3045 NX BOTTOM TANK ASSEMBLY EXPLODED DRAWING

NB: FOR WIRING SEE DRAWING: 913984 - DRW-36752
TELEMATICS CONFIGURATION - DRW-40720, DRW-40721

913984
DRAWING: DRW-36510 ISS:A13
09/03/2023



Numatic International Spare Parts

Model No: TTB3045 NX BOTTOM TANK ASSEMBLY EXPLODED DRAWING

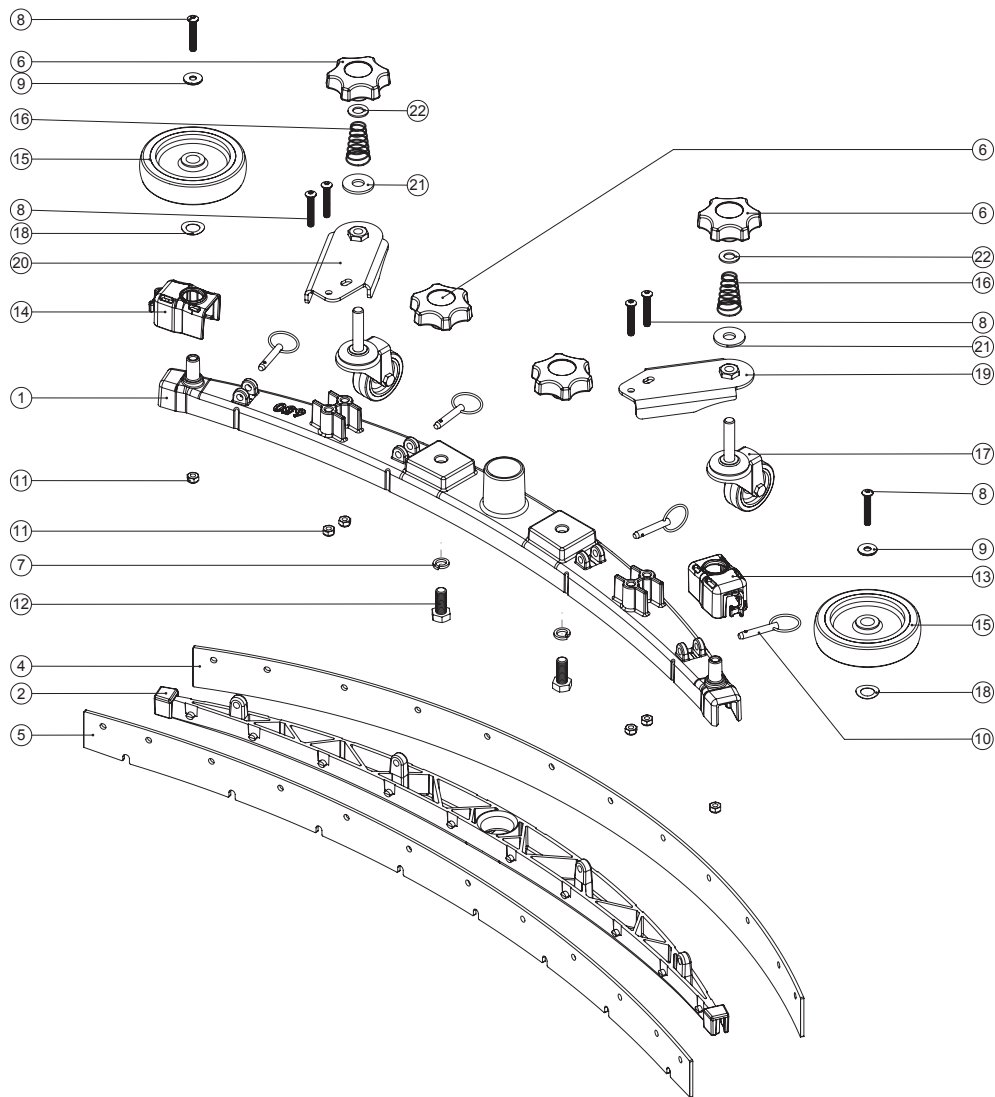
ITEM:	ITEM No:	DESCRIPTION	COMMENTS	Default/QTY.
1	913944	TGB3045 NX BOTTOM TANK MOULDING (GRAPHITE)		1
2	914293	WEIGHTS SPACER (PP)		1
3	208564	FILLER CAP SEALING RING		1
4	237174	FILLER CAP WITH FILLER HOSE HOLE		1
5	903695	28MM X 270MM LONG 3:1 STRETCH HOSE C/W RED CAP & STRAP		1
6	219569	No8 X 1/2 INCH LONG POZI PAN STAINLESS STEEL PLASTITE SCREW	Torque Setting 2.6NM	6
7	913966	NX3045 SECONDARY PCB ASSEMBLY	Wired version	1
	914653	NX3045 SECONDARY PCB ASSEMBLY		1
8	913965	NX3045 MAIN PCB ASSEMBLY	Wired version	1
	914652	NX3045 MAIN PCB ASSEMBLY		1
9	905074	GASKET-MODULE-ELECTRONICS		2
10	913958	3045 NX BATTERY COMPARTMENT		1
11	913686	BATTERY.37.8100		2
12	208382	MAGNET(19MM O/D)		3
13	910635	BATTERY RETAINER		2
14	910636	BATTERY RETAINER CAP		2
15	914505	M4 X 25MM LG. POZI CSK S-ST MC SCREW NYLON PATCH	Torque Setting 1.6NM	5
16	913960	NX 3045 BATTERY COMPARTMENT COVER		1
17	219720	M5 X 30MM LONG STAINLESS STEEL POZI PAN SCREW		2
18	206599	SPRING 10.65MM OD 16.5MM FREE LENGTH		2
19	291035	M5 NYLON INSERT NUT (STAINLESS STEEL)	Torque Setting 2.6NM	6
20	208956	SILENCER FOAM TUBE 150MM		1
21	208583	DIP MOULDED ELBOW (MANS VERSION)		1
22	901539	ELBOW ANGLE CONNECTOR 3/8 PARALLEL THREAD C/W O-RING TO 12MM PUSH IN		1
23	904403	BARBED RIVET BLACK		2
24	903341	32MM HOSE CAP RED (C/W 8MM HOLE)		1
25	213025	DUMP HOSE		1
26	902133	SPRING WIRE CLAMP (YDNAC-Y8010356)		1
27	904109	FLOAT MOULDING		1
28	904108	FLOAT STOP MOULDING		2
29	291135	M5 X 10MM LONG STAINLESS STEEL POZI PAN SEMS SCREW	Torque Setting 2.6NM	5
30	901916	28mm HOSE CLIP		1
31	291126	M8 X 120 LONG HEX BOLT STAINLESS STEEL		4
32	219716	M8 FORM G STAINLESS STEEL WASHER		8
33	904283	CABLE RESTRAINT		1
34	291132	M5 X 16MM LONG STAINLESS STEEL POZI PAN SEMS SCREW	Torque Setting 2.6NM	2
35	903612	TGB 3045 HANDLE MOUNT WELD ASSEMBLY Z/PL		1
36	219558	M5 STAINLESS STEEL NUTSERT		2
37	219639	M8 STAINLESS STEEL NYLON INSERT NUT	Torque Setting 10NM	4
38	903539	HANDLE MOUNT COVER PAINTED SILVER		1
39	913964	3045 NX HANDLE MOUNT LEFT COVER PAINTED SILVER		1
40	237754	35-38MM HOSE CLIP		2
41	902324	RED SQUEEGEE LIFT HANDLE		1
42	219687	M4 STAINLESS STEEL NYLON INSERT NUT		1
43	219897	M10 STAINLESS STEEL NYLON INSERT NUT		1
44	914266	M10 X 30 X 1.5 A4 S/ST FENDER WASHER		2
45	915176	M10 X 30MM STAINLESS STEEL HEX SCREW		1
46	901758	ET SQUEEGEE LIFTING WIRE		1
47	291118	M5 STAINLESS STEEL WASHER 19MM OD		1
48	219686	M4 X 20MM LONG STAINLESS STEEL POZI PAN MACHINE SCREW		1
49	900986	NYLON GROMMET NUT (PLASTIC INSERT TO SUIT No 8 PLASTITE SCREW)		4
50	208799	TI MOTOR PLATE GASKET		1
51	219644	M5 FORM G STAINLESS STEEL WASHER		14
52	219568	NO8.3/4 INCH LG.POZI-PAN.SCREW.STAINLESS STEEL.PLASTITE	Torque Setting 2.6NM	4
53	914296	3045NX AV MOUNT VAC MOTOR PLATE GASKET		1
54	914298	WDS 710 ANTI VIBRATION MOUNT (710-15150555A2)		4
55	902275	VAC PLATE GASKET		1
56	392449	HANDLE MOUNT LINK PLATE PAINT SILVER		2
57	291020	M5 STAINLESS STEEL EXTERNAL SHAKEPROOF LOCK WASHER		4
58	915298	VAC PLATE REAR GASKET		1
59	907553	VAC MOTOR PLATE MOULDING		1
60	915486	CINDERSON VAC HOUSING - ASSEMBLY (200W)		1
61	915303	CINDERSON VAC MOTOR MOUNT PLATE [TTB3045NX]		1
62	915483	TTB3045NX CINDERSON VAC MOTOR PLATE (FRONT)		1
63	915302	VAC MOTOR GASKET [TTB3045NX]		1
64	219497	M5 NYLON WASHER		4
65	915659	WEIGHTED PLATE ASSEMBLY TTB3045NX - DIP MOULDED		1
66	291131	M5 X 12MM LONG STAINLESS STEEL POZI PAN SEMS SCREW		4
67	915765	TTB3045NX BOTOM TANK SELF ADHESIVE TAPE		1

Numatic International Spare Parts

Model No: 650 TWINTEC ALUMINIUM FLOOR TOOL (38MM HOSE, RED TRIM, SERILOR BLADES)

Internal Code: 903347
 TB DRAWING: DRW-22621 ISS:A05
 24/10/2016

NB: FOR WIRING SEE DRAWING: N/A



Numatic International Spare Parts

Model No: 650 TWINTEC ALUMINIUM FLOOR TOOL (38MM HOSE, RED TRIM, SERILOR BLADES)

Provisional

ITEM:	PART No:	Description	Qty
1	208198	(650MM SCRUB WIDTH) ALUMINIUM SQUEEGEE CASTING (38MM HOSE FITTING)	1
2	903345	(650MM SCRUB WIDTH) RED BLADE HOLDER MouldING (SLOPING PROFILE) (32MM & 38MM HOSE FITTING)	1
	900518	650 REPLACEMENT SERILOR GREEN POLYURETHANE BLADES SET	
4	208970	(650MM SCRUB WIDTH) REPLACEMENT (4.0MM / 35-45-35 SHORE A) REAR LAMINATED SERILOR POLY/BLADE (847MM LONG)	1
5	208967	(650MM SCRUB WIDTH) REPLACEMENT (3.2MM / 40 SHORE A) FRONT MONOLAYER SERILOR POLY/BLADE (819MM LONG)	1
6	903281	M10 LOBE KNOB (RED)	4
7	219899	M10 SINGLE COIL STAINLESS STEEL WASHER	2
8	219933	M6 X 35MM SOCKET BUTTON HEAD BOLT STAINLESS STEEL	6
9	219647	M6 FORM G STAINLESS STEEL WASHER	2
10	206953	DETENT PINS	4
11	219642	M6 STAINLESS STEEL NYLON INSERT NUT	6
12	219909	M10 X 25MM LONG HEXAGONAL STAINLESS STEEL SCREW	2
13	237322	RIGHT HAND FLOOR TOOL CLIP MouldING	1
14	237323	LEFT HAND FLOOR TOOL CLIP MouldING	1
15	208796	4 INCH WHEEL	2
16	229175	CONICAL SPRING	2
17	208497	50MM DIAMETER GREY TPR TYRED SWIVEL CASTORS C/W M10 X 45 SWAGED STEM.	2
18	219891	13MM WAVEY WASHER	2
19	304523	ADJUSTABLE FLOOR TOOL CASTOR PLATE RHS WELD ASSY	1
20	304522	ADJUSTABLE FLOOR TOOL CASTOR PLATE LHS WELD ASSY	1
21	291124	M10 PENNY WASHER STAINLESS STEEL	2
22	219903	M10 FORM A STAINLESS STEEL WASHER	2

WIRING DIAGRAM

Comp. No
915656

DRG. No
DRW-39747

WIRING DIAGRAM.TWINTEC.1S.CL.UNI.NSF.NT.PLG (NX3045 C/W WIRE TERMINATED PCBS)

ISSUE	REVISION	DRAWN	APPD.	DATE
A04	915308 WAS 913101	JW	MB	05/10/2022

