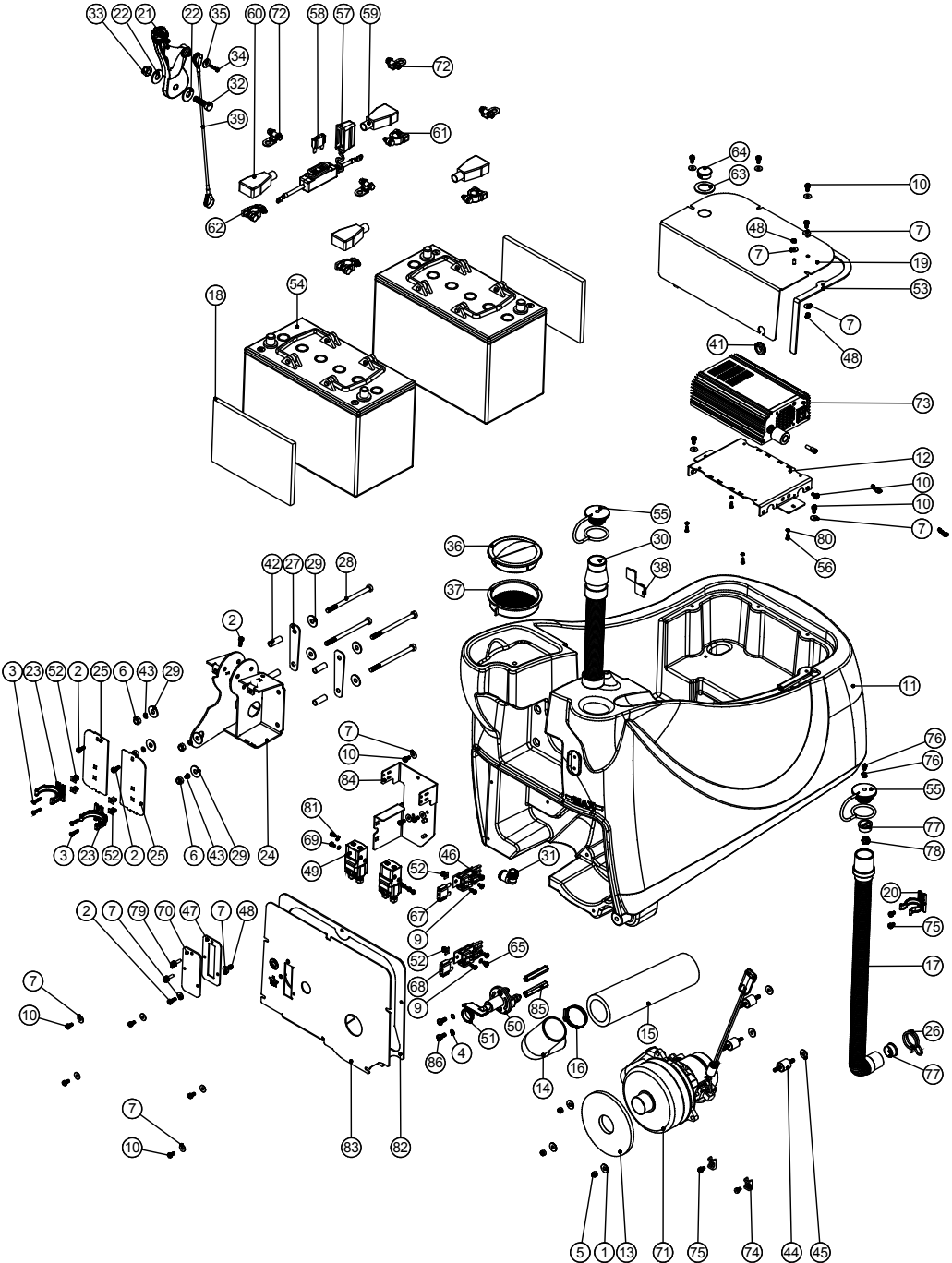


Numatic International Spare Parts

Model No: TGB4045/4055 EXPLODED VIEW: BOTTOM TANK

NB: FOR WIRING SEE DRAWINGS:
230V : DRW-22704
120V : DRW-23196

910874
 DRAWING: DRW-22919 ISS:A24
 03/07/2019



Numatic International Spare Parts

Model No: TGB4045/4055 EXPLODED VIEW: BOTTOM TANK

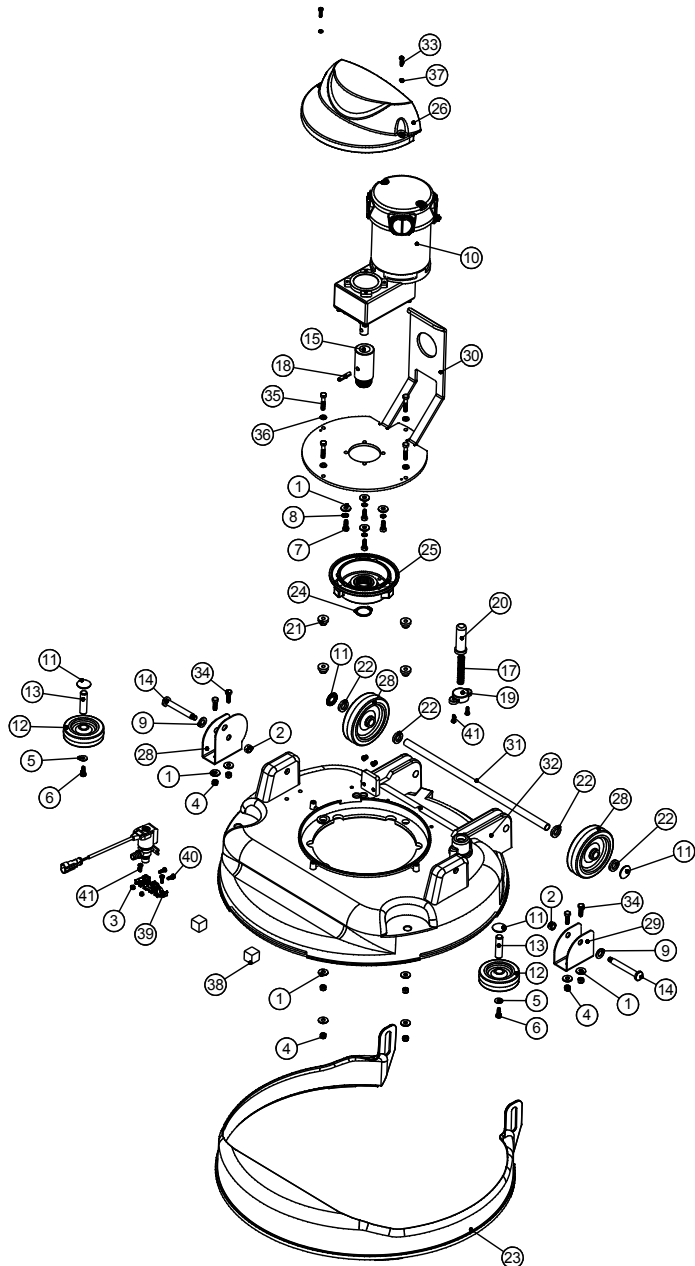
ITEM:	PART No:	DESCRIPTION	COMMENTS:	QTY
1	219647	M6 FORM G STAINLESS STEEL WASHER		3
2	291132	M5 X 16MM LONG STAINLESS STEEL POZI PAN SEMS SCREW		4
3	219568	NO8.3/4 INCH LG.POZI-PAN.SCREW.STAINLESS STEEL.PLASTITE		4
4	902353	M6 EXTERNAL SHAKEPROOF WASHER STAINLESS STEEL		2
5	219642	M6 STAINLESS STEEL NYLON INSERT NUT		3
6	219639	M8 STAINLESS STEEL NYLON INSERT NUT		4
7	219644	M5 FORM G STAINLESS STEEL WASHER		18
8	219687	M4 STAINLESS STEEL NYLON INSERT NUT		1
9	219569	NO8 X 1/2 INCH LONG POZI PAN STAINLESS STEEL PLASTITE SCREW		12
10	291131	M5 X 12MM LONG STAINLESS STEEL POZI PAN SEMS SCREW		2
11	909624	TGB4045/55 BOTTOM TANK MOULDING (GRAPHITE)	WITH LOGO	1
	906625	TGB4045/55 BOTTOM TANK MOULDING (GRAPHITE) EP	WITHOUT LOGO	1
12	909285	CHARGER PLATE C/W INSERT M/S PAINTED SILVER		1
13	208477	MOTOR PAD		1
14	208571	DIP MOULDED ELBOW		1
15	208306	SILENCER FOAM TUBE		1
16	219529	STAINLESS STEEL HOSE CLAMP (45MM - 60MM)		1
17	213025	DUMP HOSE		1
18	208645	FOAM BATTERY SPACER		2
19	909286	CHARGER COVER PLATE M/S PAINTED SILVER		1
20	901916	28mm HOSE CLIP		1
21	902324	RED SQUEEGEE LIFT HANDLE		1
22	291124	M10 PENNY WASHER STAINLESS STEEL		2
23	237754	35-38MM HOSE CLIP		2
24	903612	TGB 3045 HANDLE MOUNT WELD ASSEMBLY Z/P L		1
25	903539	HANDLE MOUNT COVER PAINTED SILVER		2
26	902133	SPRING WIRE CLAMP (YDNAC-Y8010356)		1
27	392449	HANDLE MOUNT LINK PLATE PAINT SILVER		2
28	291126	M8 X 120 LONG HEX BOLT STAINLESS STEEL		4
29	219716	M6 FORM G STAINLESS STEEL WASHER		8
30	208960	TTB/TT FILLING HOSE		1
31	901539	ELBOW ANGLE CONNECTOR 3/8 PARALLEL THREAD C/W O-RING TO 12MM PUSH IN		1
32	219895	M10 X 35MM LONG HEXAGONAL STAINLESS STEEL SCREW		1
33	219897	M10 STAINLESS STEEL NYLON INSERT NUT		1
34	219686	M4 X 20MM LONG STAINLESS STEEL POZI PAN MACHINE SCREW		1
35	291118	M5 STAINLESS STEEL WASHER 19MM OD		1
36	903544	FILLER CAP LID (RED)		1
37	903543	CLEAN TANK INLET FILTER (RED)		1
38	220403	CABLE CLIP		2
39	208961	TTB LIFTING WIRE		1
40	219558	M5 STAINLESS STEEL NUTSERT		3
41	219735	GROMMET		1
42	305046	30MM PVC HOSE ID 8.0MM X 11.0MM		4
43	219898	M8 SINGLE COIL STAINLESS STEEL WASHER		4
44	902006	AV MOUNT MALE TO MALE M6 X 18 (BODY Ø20X20 - REF.P2004.020-020)		3
45	219008	M6 FORM G WASHER		3
46	230102	FUSE HOLDER RATED AT 60 AMPS		2
47	903601	FUSE PLATE GASKET		1
48	219633	M5 STAINLESS STEEL NYLON INSERT NUT		3
49	903736	24V ALBRIGHT CONTACTOR (SU60-2009)		2
50	206746	MASTER KEY SWITCH & KEY	206813 SPARE KEY	1
51	902331	QF PVC GROMMET (26MM X 22MM X 2MM)		1
52	900986	NYLON GROMMET NUT (PLASTIC INSERT TO SUIT No 8 PLASTITE SCREW)		6
53	909284	CHARGER COVER GASKET (2)		1
54	220867	12V TRACTION BLOCK BATTERY	80Ah VERSION	2
	205112	100 AMP/HOUR REPLACEMENT BATTERY (C/W PACKAGING FOR 230138 BATTERY)	100Ah VERSION	2
55	903341	32MM HOSE CAP RED (C/W 8MM HOLE)		2
56	902533	NO6 X 3/8 INCH LONG POZI PAN SELF TAP SCREW STAINLESS STEEL		4
57	903175	WATERPROOF BATTERY FUSE HOLDER.210MM		1
58	221047	40 AMP MAXI FUSE		1
59	208936	BLACK BATTERY TERMINAL COVER (415N8V14)		2
60	208935	RED BATTERY TERMINAL COVER (415N8V02)		2
61	220455	BATTERY TERMINAL CONVERTOR	80Ah VERSION	2
62	220454	POSITIVE BATTERY TERMINAL CONVERTER	80Ah VERSION	2
63	902328	WINDOW PLUG GASKET		1
64	206314	WINDOW PLUG		1
65	219864	M5 X 8MM LONG POZI-PAN SCREW Z/P L		4
66	219861	M5 SINGLE COIL STAINLESS STEEL WASHER		4
67	230104	30 AMP MAXI FUSE		1
68	221091	20 AMP MAXI FUSE		1
69	219697	M4 X 8MM LONG POZI PAN STAINLESS STEEL SCREW		4
70	903602	FUSE COVER PLATE		1
71	905988	24V TANGENTIAL DISCHARGE 2-STAGE VAC MOTOR ASSEMBLY		1
72	902666	BATTERY CONNECTOR (M6 - M10)	100Ah VERSION	4
73	903933	CHARGER ASSEMBLY NORD 230V 10A		1
	903934	CHARGER ASSEMBLY NORD 120V 10A		1
74	220904	CABLE CLIP PLATFORM		2
75	291135	M5 X 10MM LONG STAINLESS STEEL POZI PAN SEMS SCREW		4
76	904403	BARBED RIVET BLACK		2
77	904108	FLOAT STOP MOULDING		2
78	904109	FLOAT MOULDING		1
79	904491	M5 X 16MM SLOT KNURLED THUMB SCREW NYLON (WHITE)		2
80	904219	M3 STAINLESS STEEL EXTERNAL SHAKEPROOF WASHER		4
81	291145	M4 SHAKEPROOF WASHER STAINLESS STEEL		4
82	909293	BACK PLATE GASKET (2)		1
83	909292	TGB4045/55 BACK PLATE C/W NUTSERTS PAINTED SILVER		1
84	909471	FUSE AND CONTACTORS BRACKET PAINTED SILVER		1
85	909639	60MM HEXAGONAL SPACER (M6 FEMALE TO FEMALE)		2
86	219646	M6 X 16MM LONG POZI PAN STAINLESS STEEL SCREW		2

Numatic International Spare Parts

Model No: TGB4055 EXPLODED VIEW: BRUSH DECK

NB: FOR WIRING SEE DRAWINGS:
 230V : DRW-22704
 120V : DRW-23196

910877
 DRAWING: DRW-23008 ISS:A08
 03/07/2019



Numatic International Spare Parts

Model No: TGB4055 EXPLODED VIEW: BRUSH DECK

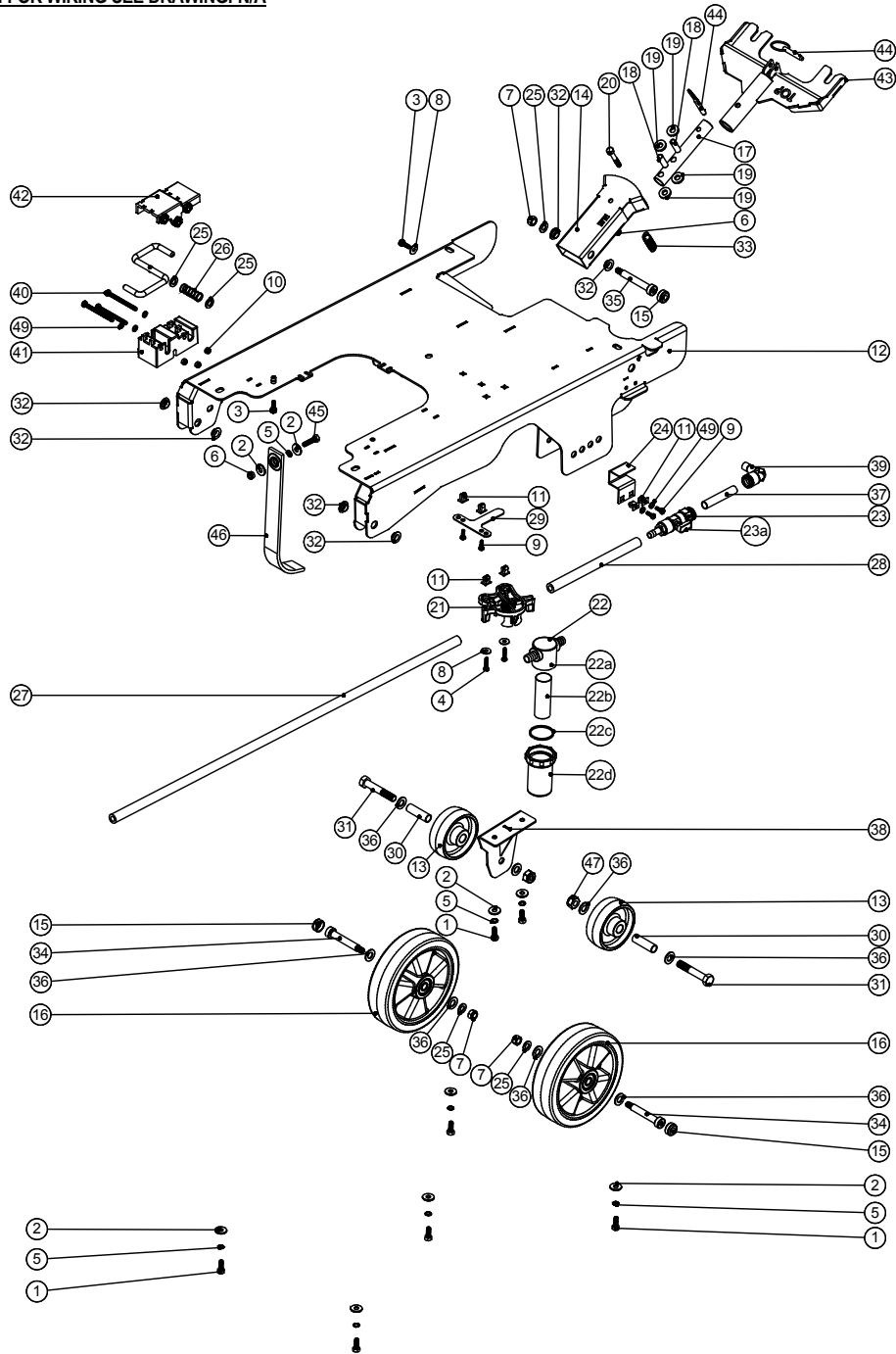
ITEM:	PART No:	DESCRIPTION	COMMENTS:	QTY
1	219647	M6 FORM G STAINLESS STEEL WASHER		12
2	219639	M8 STAINLESS STEEL NYLON INSERT NUT		2
3	219687	M4 STAINLESS STEEL NYLON INSERT NUT		2
4	219642	M6 STAINLESS STEEL NYLON INSERT NUT		8
5	219644	M5 FORM G STAINLESS STEEL WASHER		2
6	291132	M5 X 16MM LONG STAINLESS STEEL POZI PAN SEMS SCREW		2
7	219719	M6 X 16MM LONG HEXAGONAL STAINLESS STEEL HEAD BOLT		4
8	902353	M6 EXTERNAL SHAKEPROOF WASHER STAINLESS STEEL		4
9	219903	M10 FORM A STAINLESS STEEL WASHER		2
10	205245	AMER 100RPM MOTOR		1
11	204021	12.7MM STAINLESS STEEL HUB CAP		4
12	204068	3 INCH GREY WHEEL		2
13	206013	BUFFER WHEEL PIN		2
14	208626	TT/TTB4055 PIVOT PIN		2
15	208727	DRIVE SHAFT		1
16	219009	M4 BRASS TAPPEX INSERT		2
17	219692	COMPRESSION SPRING		1
18	291079	6MM X 30MM STAINLESS STEEL ROLL PIN		1
19	223242	PLUNGER MOUNTING PLATE MOULDING		1
20	229128	PLUNGER		1
21	229285	MOTOR MOUNTING SPACER		4
22	229346	SPACER		4
23	229562	SPLASH SKIRT MOULDING		1
24	230048	26MM EXTERNAL CIRCLIP		1
25	230207	DIE CAST CHUCK MACHINED		1
26	237380	AMER MOTOR COVER		1
28	329112	100MM WHEEL		2
28	392248	DECK MOUNT BRACKET		1
29	392279	DECK MOUNT RH (550 DECK VERSION)		1
30	392362	MOTOR ADAPTOR PLATE PAINT SILVER GREY		1
31	391439	1/2 INCH DIAMETER X 18G STAINLESS STEEL TUBE (0.375)		1
32	304404	TTB4055 DECK MOULDING DRILLED (NEW DESIGN)		1
33	219862	M4 X 16MM LONG POZI PAN STAINLESS STEEL SCREW		2
34	219976	M6 X 20MM LONG HEXANGONAL HEAD SET SCREW		4
35	291022	M6 X 30MM LONG STAINLESS STEEL HEXAGONAL HEAD BOLT		4
36	219870	M6 FORM A WASHER STAINLESS STEEL		4
37	291145	M4 SHAKEPROOF WASHER STAINLESS STEEL		2
38	902352	FOAM SPACER 20MM		2
39	902556	SOLENOID MOUNT MOULDING		1
40	219890	M4 X 12MM LONG POZI PAN STAINLESS STEEL SCREW		2
41	219569	No8 X 1/2 INCH LONG POZI PAN STAINLESS STEEL PLASTITE SCREW		4
42	902949	TERMINATED SOLENOID CABLE.BLACK.125.0M5.2.24		1

Numatic International Spare Parts

Model No: TGB4045/4055 EXPLODED VIEW: CHASSIS

NB: FOR WIRING SEE DRAWING: N/A

910871
DRAWING: DRW-22935 ISS:A08
03/07/2019



Numatic International Spare Parts

Model No: TGB4045/4055 EXPLODED VIEW: CHASSIS

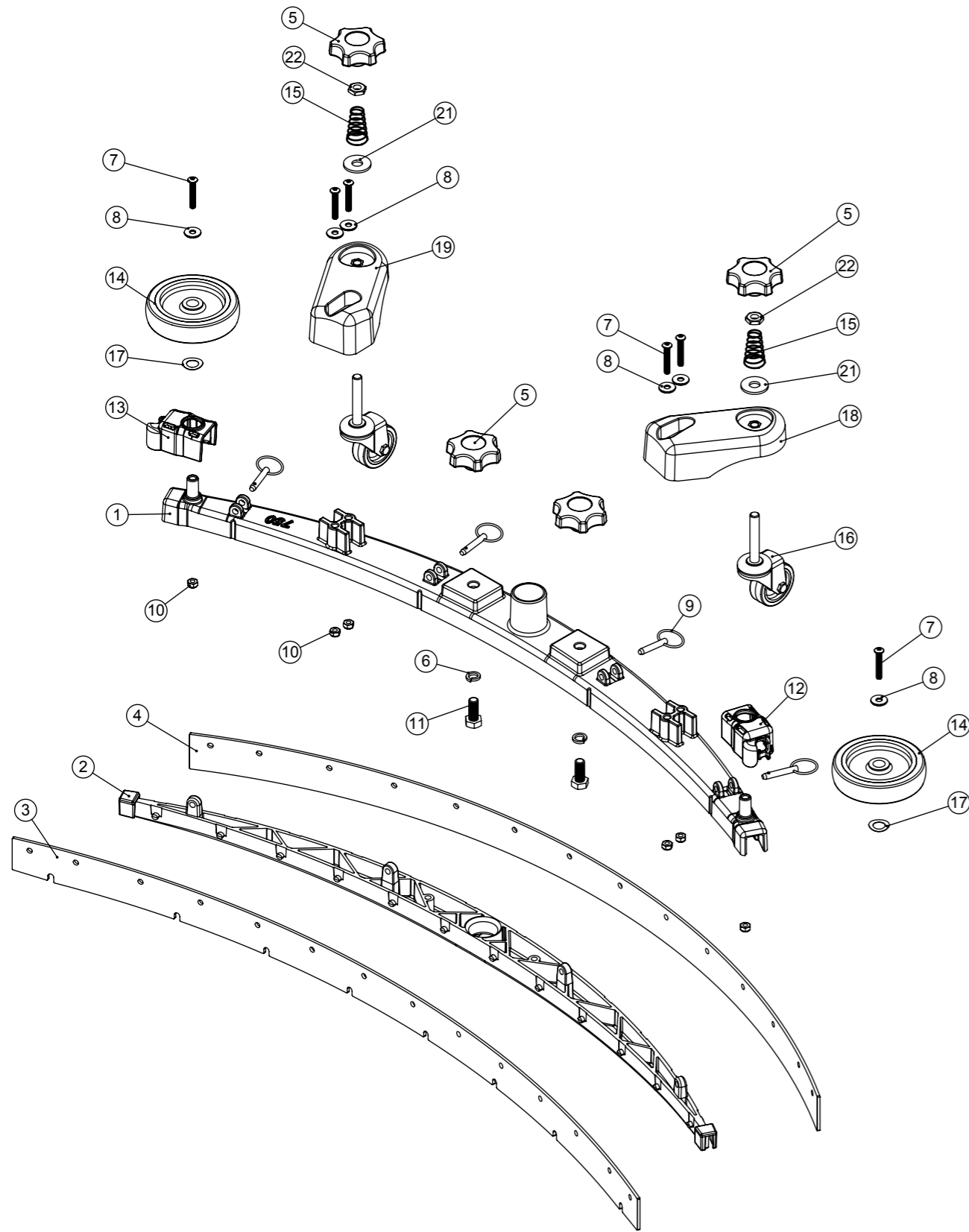
ITEM:	PART No:	DESCRIPTION	COMMENTS:	QTY
1	219719	M6 X 16MM LONG HEXAGONAL STAINLESS STEEL HEAD BOLT		7
2	219647	M6 FORM G STAINLESS STEEL WASHER		9
3	291132	M5 X 16MM LONG STAINLESS STEEL POZI PAN SEMS SCREW		2
4	219568	NO8.3/4 INCH LG.POZI-PAN.SCREW.STAINLESS STEEL.PLASTITE		2
5	902353	M6 EXTERNAL SHAKEPROOF WASHER STAINLESS STEEL		8
6	219642	M6 STAINLESS STEEL NYLON INSERT NUT		2
7	219639	M8 STAINLESS STEEL NYLON INSERT NUT		3
8	219644	M5 FORM G STAINLESS STEEL WASHER		3
9	219569	NO8 X 1/2 INCH LONG POZI PAN STAINLESS STEEL PLASTITE SCREW		4
10	219633	M5 STAINLESS STEEL NYLON INSERT NUT		3
11	900986	NYLON GROMMET NUT (PLASTIC INSERT TO SUIT No 8 PLASTITE SCREW)		6
12	903559	TGB/4045/4055 CHASSIS WELD ASSY (12SWG M/S) PAINT SILVER		1
13	206713	80MM DIAMETER WHITE WHEEL		2
14	304359	TT/TTB/4045/4055 SQUEEGEE MOUNT WELD ASSEMBLY		1
15	237632	SHOULDER BOLT COVER		3
16	N/A	160mm WHEEL WITH POLYURETHENE TYRE		2
17	304356	FLOOR TOOL PIVOT TUBE		1
18	206954	SPIRO SPACER		2
19	206964	SLIDE NYLON SPACER		4
20	291125	M6 X 40 LONG HEX BOLT STAINLESS STEEL		1
21	901006	FILTER MOUNTING BRACKET		1
22	208888	EXTENDED STRAINER		1
22a	208827	STRAINER BLACK TOP	SPARE PART	1
22b	208889	EXTENDED STRAINER 50 MESH SCREEN	SPARE PART	1
22c	208830	STRAINER GASKET	SPARE PART	1
22d	208890	EXTENDED STRAINER CLEAR BOWL	SPARE PART	1
23	901542	12MM PUSH FIT TO 10MM HOSE TAIL BALL VALVE ASSEMBLY		1
23a	901544	TAP HANDLE C/W COVER AND M3X6MM SCREW (SPARE ITEM)	SPARE PART	1
24	392314	10MM TAP BRACKET		1
25	219578	M8 FORM A STAINLESS STEEL WASHER		5
26	208578	DECK LOCK SPRING		1
27	391453	SILICON TUBE 750MM LONG X 8MM I/D X 3.2MM WALL SECTION		1
28	391452	SILICON TUBE 8MM I/D X 3.2MM WALL SECTION (CUT 190MM)		1
29	321902	SILENCER CLAMP		1
30	391440	1/2 INCH X 18G X 41MM LONG STAINLESS STEEL SPACER TUBE		2
31	219894	M10 X 60MM LONG HEXAGONAL STAINLESS STEEL BOLT		2
32	208312	IGUS BEARING (GFM 101205)		6
33	208619	FLOOR TOOL SPRING		1
34	291057	M8 X 10 X 55MM LONG HEX SOCKET SHOULDER BOLT		2
35	208574	M8 X 10 X 60MM LONG HEX SOCKET SHOULDER BOLT		1
36	219903	M10 FORM A STAINLESS STEEL WASHER		8
37	901553	NYLON TUBE 12MM OD X 10MM ID (65MM)		1
38	903611	TGB TRANSPORT WHEEL BRACKET WELD ASSEMBLY PAINT SILVER		1
39	901545	ELBOW ANGLE CONNECTOR 12MM PUSH IN TO 12MM STEM		1
40	901558	M5 X 60MM STAINLESS STEEL POZI PAN MACHINE SCREW		3
41	901280	LATCH BLOCK BOTTOM MOULDING		1
42	901279	LATCH BLOCK TOP MOULDING		1
43	304466	FLOOR TOOL BRACKET ASSEMBLY (TT/TTB4045/4055)		1
44	206953	DETENT PINS		2
45	219925	M6 x 25MM LONG STAINLESS STEEL HEX SCREW		1
46	903683	ANTI-STATIC STRAP (CUT TO LENGHT: 270MM LONG)		1
47	219897	M10 STAINLESS STEEL NYLON INSERT NUT		2
48	904440	DECK LATCH BAR		1
49	219355	M5 FORM A STAINLESS STEEL WASHER		5

Numatic International Spare Parts

Model No: 750 TWINTEC ALUMINIUM FLOOR TOOL (38MM HOSE)

NB: FOR WIRING SEE DRAWING: N/A

Internal Code: 606297 577947 599441 900480
 DRAWING: DRW-18076 ISS:A10
 PRO 08/08/2019



Numatic International Spare Parts

Model No: 750 TWINTEC ALUMINIUM FLOOR TOOL (38MM HOSE)

ITEM:	PART No:	DESCRIPTION	QTY.
1	208637	(750MM SCRUB WIDTH) ALUMINIUM SQUEEGEE CASTING (38MM HOSE FITTING)	1
2	237624	(750MM SCRUB WIDTH) BLADE HOLDER MOULDING (SLOPING PROFILE) (32MM & 38MM HOSE FITTING)	1
3	SEE TABLE	750MM SCRUB WIDTH REPLACEMENT FRONT BLADE (968MM LONG)	1
4	SEE TABLE	750MM SCRUB WIDTH REPLACEMENT REAR BLADE (1000MM LONG)	1
5	903281	M10 LOBE KNOB (RED)	4
6	219899	M10 SINGLE COIL STAINLESS STEEL WASHER	2
7	219933	M6 X 35MM SOCKET BUTTON HEAD BOLT STAINLESS STEEL	6
8	219647	M6 FORM G STAINLESS STEEL WASHER	6
9	206953	DETENT PINS	4
10	219642	M6 STAINLESS STEEL NYLON INSERT NUT	6
11	219909	M10 X 25MM LONG HEXAGONAL STAINLESS STEEL SCREW	2
12	237322	RIGHT HAND FLOOR TOOL CLIP MOULDING	1
13	237323	LEFT HAND FLOOR TOOL CLIP MOULDING	1
14	208796	4 INCH WHEEL	2
15	229175	CONICAL SPRING	2
16	907759	50MM DIAMETER GREY TPR TYRED SWIVEL CASTOR C/W M10 X 60 SWAGED STEM.	2
17	219891	13MM WAVEY WASHER	2
18	906860	ADJUSTABLE FLOOR TOOL CASTOR PLASTIC PLATE LEFT	1
19	906859	ADJUSTABLE FLOOR TOOL CASTOR PLASTIC PLATE RIGHT	1
20	219903	M10 FORM A STAINLESS STEEL WASHER	2
21	291124	M10 PENNY WASHER STAINLESS STEEL	2
22	219951	A4 (STAINLESS STEEL) M10 HEX LOCK NUT (HALF NUT)	2

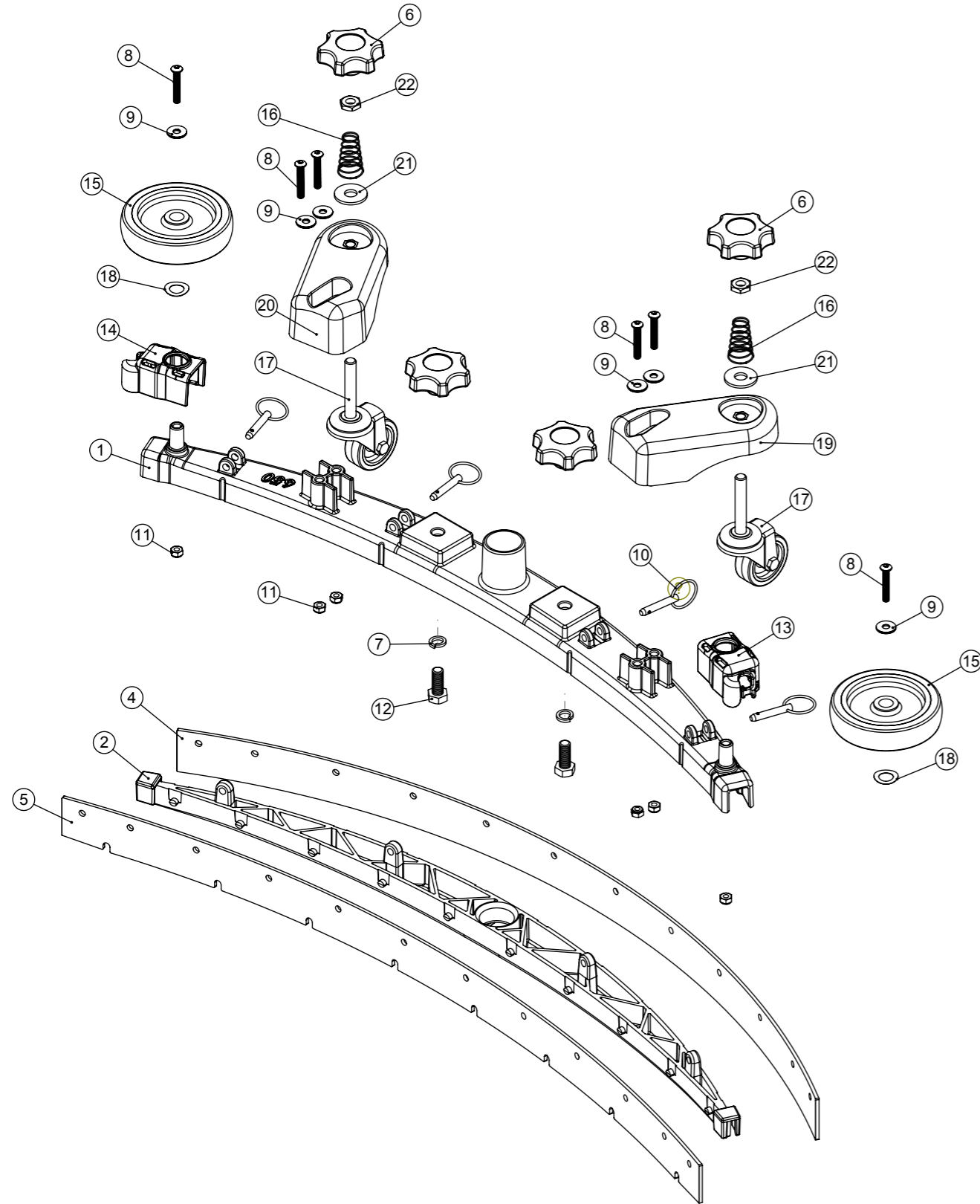
BLADE	FRONT	REAR
POLYURETHANE 43 SHORE A	208641	208642
POLYURETHANE 50 SHORE A	208643	208644
LINATEX NATURAL RUBBER 40 SHORE A	208639	208640
SERILOR®CLEAN POLYURETHANE FRONT: 40 SHORE A / REAR: 35-45-35 SHORE A	208968	208971

Numatic International Spare Parts

Model No: 650 TWINTEC ALUMINIUM FLOOR TOOL (38MM HOSE, RED TRIM, SERILOR BLADES)

Internal Code: 903347
 DRAWING: DRW-22621 ISS:A09
 PRO 27/03/2018

NB: FOR WIRING SEE DRAWING: N/A



Numatic International Spare Parts

Model No: 650 TWINTEC ALUMINIUM FLOOR TOOL (38MM HOSE, RED TRIM, SERILOR BLADES)

ITEM:	PART No:	Description	Qty
1	208198	(650MM SCRUB WIDTH) ALUMINIUM SQUEEGEE CASTING (38MM HOSE FITTING)	1
2	903345	(650MM SCRUB WIDTH) RED BLADE HOLDER MOULDING (SLOPING PROFILE) (32MM & 38MM HOSE FITTING)	1
	900518	650 REPLACEMENT SERILOR GREEN POLYURETHANE BLADES SET	
4	208970	(650MM SCRUB WIDTH) REPLACEMENT (4.0MM / 35-45-35 SHORE A) REAR LAMINATED SERILOR POLY/BLADE (847MM LONG)	1
5	208967	(650MM SCRUB WIDTH) REPLACEMENT (3.2MM / 40 SHORE A) FRONT MONOLAYER SERILOR POLY/BLADE (819MM LONG)	1
6	903281	M10 LOBE KNOB (RED)	4
7	219899	M10 SINGLE COIL STAINLESS STEEL WASHER	2
8	219933	M6 X 35MM SOCKET BUTTON HEAD BOLT STAINLESS STEEL	6
9	219647	M6 FORM G STAINLESS STEEL WASHER	6
10	206953	DETENT PINS	4
11	219642	M6 STAINLESS STEEL NYLON INSERT NUT	6
12	219909	M10 X 25MM LONG HEXAGONAL STAINLESS STEEL SCREW	2
13	237322	RIGHT HAND FLOOR TOOL CLIP MOULDING	1
14	237323	LEFT HAND FLOOR TOOL CLIP MOULDING	1
15	208796	4 INCH WHEEL	2
16	229175	CONICAL SPRING	2
17	907759	50MM DIAMETER GREY TPR TYRED SWIVEL CASTOR C/W M10 X 60 SWAGED STEM.	2
18	219891	13MM WAVEY WASHER	2
19	906860	ADJUSTABLE FLOOR TOOL CASTOR PLASTIC PLATE LEFT	1
20	906859	ADJUSTABLE FLOOR TOOL CASTOR PLASTIC PLATE RIGHT	1
21	291124	M10 PENNY WASHER STAINLESS STEEL	2
22	219951	A4 (STAINLESS STEEL) M10 HEX LOCK NUT (HALF NUT)	2

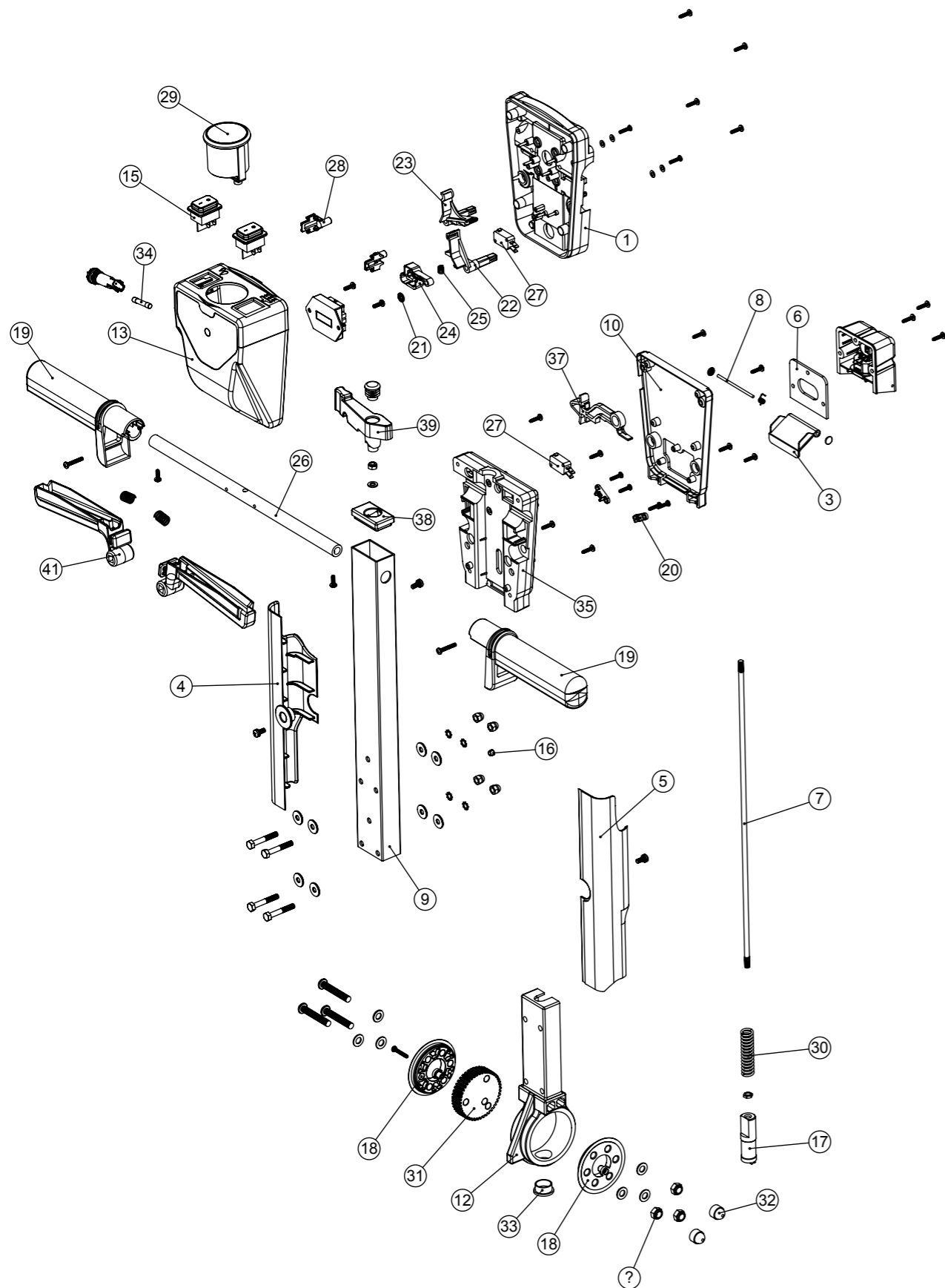
Numatic International Spare Parts

Model No: TGB 3045/4045/4055 (& HGB) HANDLE ASSEMBLY EXPLODED VIEW

Internal Code: 903636
 DRAWING: DRW-22934 ISS:A15
 PRO 15/04/2019

NB: FOR TGB & HGB 3045 WIRING SEE DRAWING: DRW-22779

NB: FOR TGB 4045/4055 WD: DRW-22704



Numatic International Spare Parts

Model No: TGB 3045/4045/4055 (& HGB) HANDLE ASSEMBLY EXPLODED VIEW

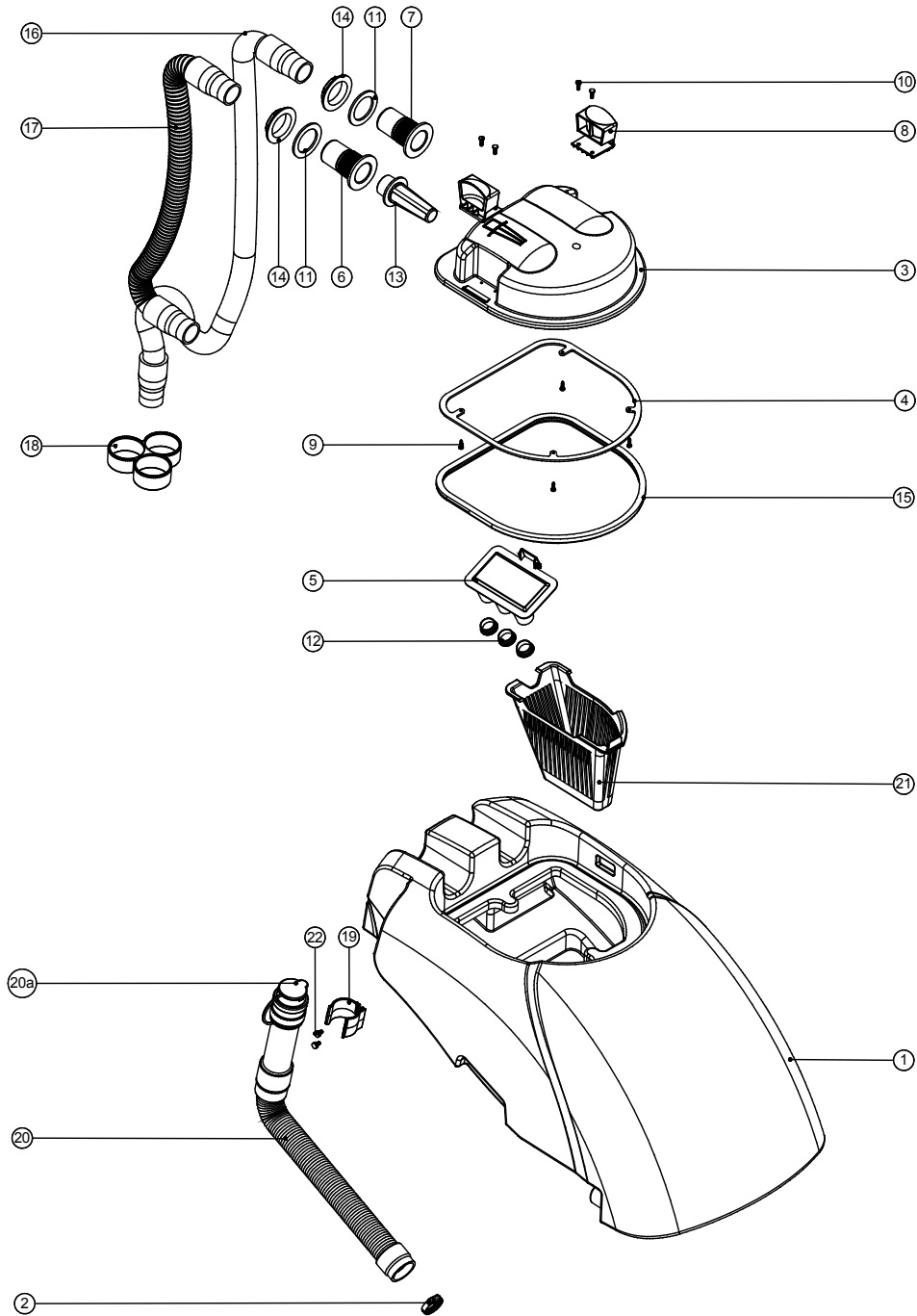
ITEM:	PART No:	DESCRIPTION	COMMENTS:	QTY.
1	227576	FRONT INNER HALF MOULDING	STANDARD TGB MACHINE	1
	237542	FRONT INNER HALF MOULDING (BLACK)	FOR HGB	
	229508	FLAME RETARDANT FRONT INNER HALF MOULDING	FLAME RETARDENT 120V	
3	227781	FLAP MOULDING		1
4	237692	HANDLE CABLE COVER L/H	HGB USE 904907	1
5	237693	HANDLE CABLE COVER R/H	HGB USE 904908	1
6	202105	SOCKET COVER SEALING GASKET		1
7	229461	440MM HANDLE LOCKING ROD		1
8	390979	72MM LONG X 3MM DIAMETER STAINLESS STEEL BAR		1
9	903603	TGB/TTG 430MM PROCESSED ALI HANDLE PAINT SILVER		1
10	303509	MODIFIED REAR COVER	STANDARD TGB MACHINE	1
	905828	MODIFIED REAR COVER MOULDING (BLACK)	FOR HGB	
	303628	FLAME RETARDANT MODIFIED REAR COVER MOULDING	FLAME RETARDENT 120V (+HGB)	
12	900398	HANDLE CASTING MACHINED (HNS VERSION)		1
13	903556	TGB HANDLE FRONT COVER TFPP	STANDARD TGB MACHINE	1
	905846	TGB HANDLE FRONT COVER TFPP BLACK	FOR HGB	
	903560	TGB HANDLE FRONT COVER FRPP	FLAME RETARDENT 120V (+HGB)	
15	902235	SWITCH DPST RED ILLUMINATED WITH MEMBRANE 24V		2
16	229009	BLANKING PLUG		1
17	229073	GEAR LOCKING PIN		1
18	900396	ADJUSTMENT GEAR SPACER		2
19	227580	HAND GRIP MOULDING	HGB USE 237544	2
20	229669	LOLINE HANDLE CABLE CLAMP		2
21	219805	4MM SPIREFIX		1
22	227585	LEFT HAND SWITCH OPERATING LEVER MOULDING		1
23	227586	RIGHT HAND SWITCH OPERATING LEVER MOULDING		1
24	227587	CENTRE SWITCH OPERATING LEVER MOULDING		1
25	219804	SWITCH COMPRESSION SPRING		1
26	338269	CROSS TUBE		1
27	229483	SNAP ACTION SWITCH		2
28	903558	TGB HANDLE BOSS		2
29	902532	BATTERY DISCHARGE INDICATOR + HOUR METER 24V		1
30	229138	SPRING		1
31	900397	MINI ADJUSTMENT GEAR		1
32	903260	BOLT AND NUT CAP		2
33	229099	25MM DIA HOLE PLUG		1
34	903066	FUSE 2.5A (6.3x32)		1
35	227577	REAR INNER HALF MOULDING	STANDARD TGB MACHINE	1
	237543	REAR INNER HALF MOULDING (BLACK)	FOR HGB	
	229509	FLAME RETARDANT REAR INNER HALF MOULDING	FLAME RETARDENT 120V (+HGB)	
37	227584	INTERLOCK LEVER MOULDING		1
38	903546	HANDLE PLUG MOULDING (RED)		1
39	903545	ADJUSTMENT LEVER MOULDING (RED)		1
40	904030	240V EMI FILTER WITH SOCKET COVER ASSEMBLY (PROCESSED)	240V VERSION	1
	904031	120V EMI FILTER WITH SOCKET COVER ASSEMBLY (PROCESSED)	120V VERSION	
41	903547	TRIGGER MOULDING (RED)		2
42	219647	M6 FORM G STAINLESS STEEL WASHER		8
43	219642	M6 STAINLESS STEEL NYLON INSERT NUT		1
44	219639	M8 STAINLESS STEEL NYLON INSERT NUT		3
45	902353	M6 EXTERNAL SHAKEPROOF WASHER STAINLESS STEEL		4
46	219569	No8 X 1/2 INCH LONG POZI PAN STAINLESS STEEL PLASTITE SCREW		2
47	219819	TORSION SPRING		1
48	291125	M6 X 40 LONG HEX BOLT STAINLESS STEEL		4
49	291131	M5 X 12MM LONG STAINLESS STEEL POZI PAN SEMS SCREW		3
50	219493	M6 NYLON WASHER		1
51	219107	No6 X 5/8 INCH LONG POZI PAN PLASTITE SCREW		6
52	219832	3MM DIAMETER STARLOCK		2
53	219206	M4 FORM A WASHER		4
54	219270	No8 X 1/2 INCH LONG POZI PAN SELF TAP SCREW		2
55	219811	NO8 X 1 INCH LONG POZI-PAN SELF TAP SCREW		2
56	20638V	19MM BLACK TUBE END STOP		1
57	219803	TRIGGER COMPRESSION SPRING		2
58	903766	DMH Terminal Block PCB Assembly		1
59	903032	BULGIN PANEL MOUNT FUSEHOLDER		1
60	219764	M6 STAINLESS STEEL DOME NUT		4
61	219578	M8 FORM A STAINLESS STEEL WASHER		6
62	219099	M6 HALF NUT		1
63	219922	M8 X 50MM LONG SOCKET BUTTON HEAD STAINLESS STEEL BOLT		3
64	291150	NO6 X 1 INCH LONG POZI PAN SCREW S/S		1
65	219370	No8 X 5/8 INCH LONG PLASTITE STAINLESS STEEL SCREW		15

Numatic International Spare Parts

Model No: TGB4045/4055 EXPLODED VIEW: TOP TANK

NB: FOR WIRING SEE DRAWING: N/A

908096
DRAWING: DRW-22926 ISS:A09
03/07/2019



Numatic International Spare Parts

Model No: TGB4045/4055 EXPLODED VIEW: TOP TANK

ITEM:	PART No:	DESCRIPTION	COMMENTS:	QTY
1	N/A	TTB.4055 TOP TANK MOULDING (GRAPHITE GREY)		1
2	206209	A.B.A HOSE CLIP		1
3	237381	INTEGRATED CHASSIS SEPARATOR		1
4	392200	FILTER GASKET RING		1
5	237090	SEPARATOR FLOAT MOULDING (MK 2)		1
6	237526	38MM RED DRAIN HOSE CONNECTOR		1
7	237018	38MM DRAIN HOSE CONNECTOR		1
8	902919	CLIP MOULDING (RED)		2
9	219852	NO6 X 1/2 LONG POZI PAN STAINLESS STEEL SELF TAP SCREW		4
10	219569	NO8 X 1/2 INCH LONG POZI PAN STAINLESS STEEL PLASTITE SCREW		4
11	219310	RUBBER WASHER		2
12	206315	TUBE END PLUG		3
13	206265	TT/B 345 BARREL FILTER		1
14	206116	BLACK NUT		2
15	208591	NEW SEPARATOR GASKET		1
16	N/A	35MM X 690MM LONG 3:1 STRETCH HOSE (SHORT & LONG CUFF)		1
17	N/A	VAC HOSE 650MM X Ø38MM		1
18	237718	HOSE GUIDE		1
19	237382	ACETAL HOSE CLIP MOULDING		1
20	N/A	35MM X 250MM STRETCH HOSE (3:1) C/W ADJUSTABLE CUFF + CAP		1
20a	900903	HOSE CLOSURE REPLACEMENT KIT (35MM-38MM STRETCH HOSE)	SPARE ITEM	1
21	906070	MESHLESS FILTER BASKET		1
22	291135	M5 X 10MM LONG STAINLESS STEEL POZI PAN SEMS SCREW		2

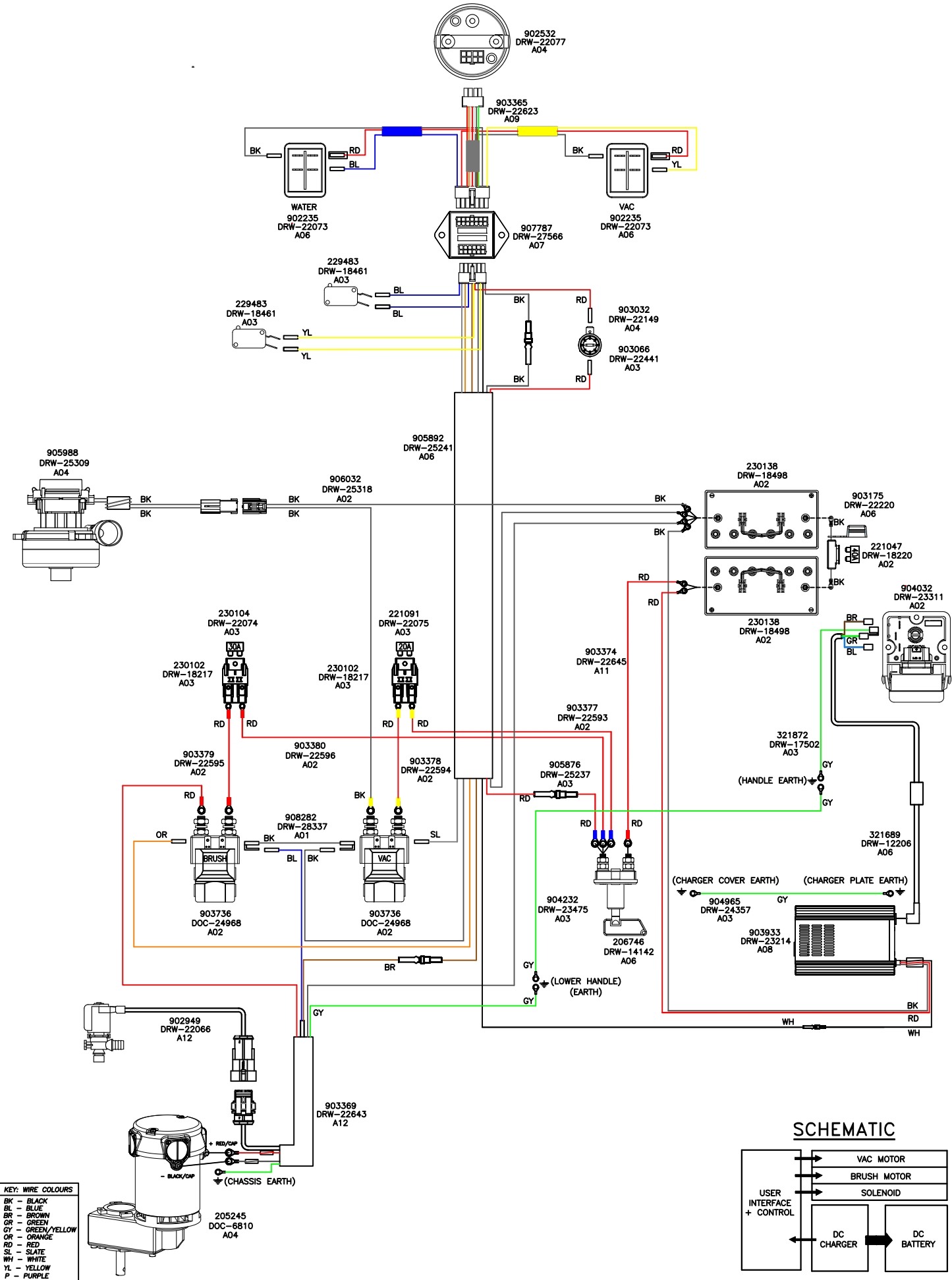
WIRING DIAGRAM

COMP. No
903478

DRG. No
DRW-22704

WIRING DIAGRAM.TWINTEC.1S.3WCR.230.50.NT.PLG

ISSUE	REVISION	DRAWN	APPD.	DATE
A31	SWITCH- 902235 REVISION UPDATE REF PRJ000020	AS	AS	20/02/20



KEY: WIRE COLOURS

BK	- BLACK
BL	- BLUE
BR	- BROWN
GR	- GREEN
GY	- GREEN/YELLOW
OR	- ORANGE
RD	- RED
SL	- SLATE
WH	- WHITE
YL	- YELLOW
P	- PURPLE

SCHEMATIC

