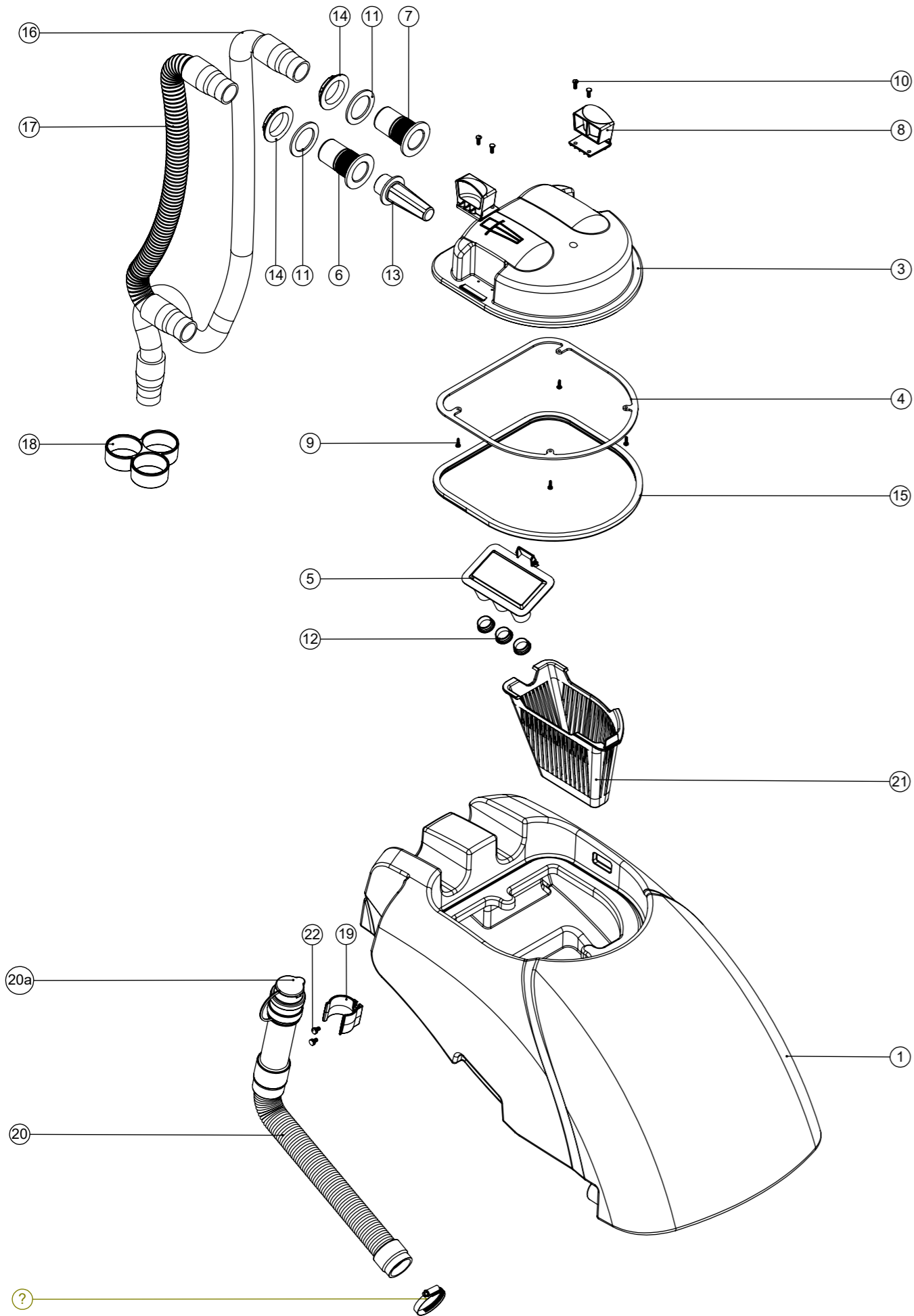


# Numatic International Spare Parts

Model No: TGB4045/4055 EXPLODED VIEW: TOP TANK

908096  
DRAWING: DRW-22926 ISS:A10  
07/09/2021

NB: FOR WIRING SEE DRAWING: N/A



# Numatic International Spare Parts

Model No: TGB4045/4055 EXPLODED VIEW: TOP TANK

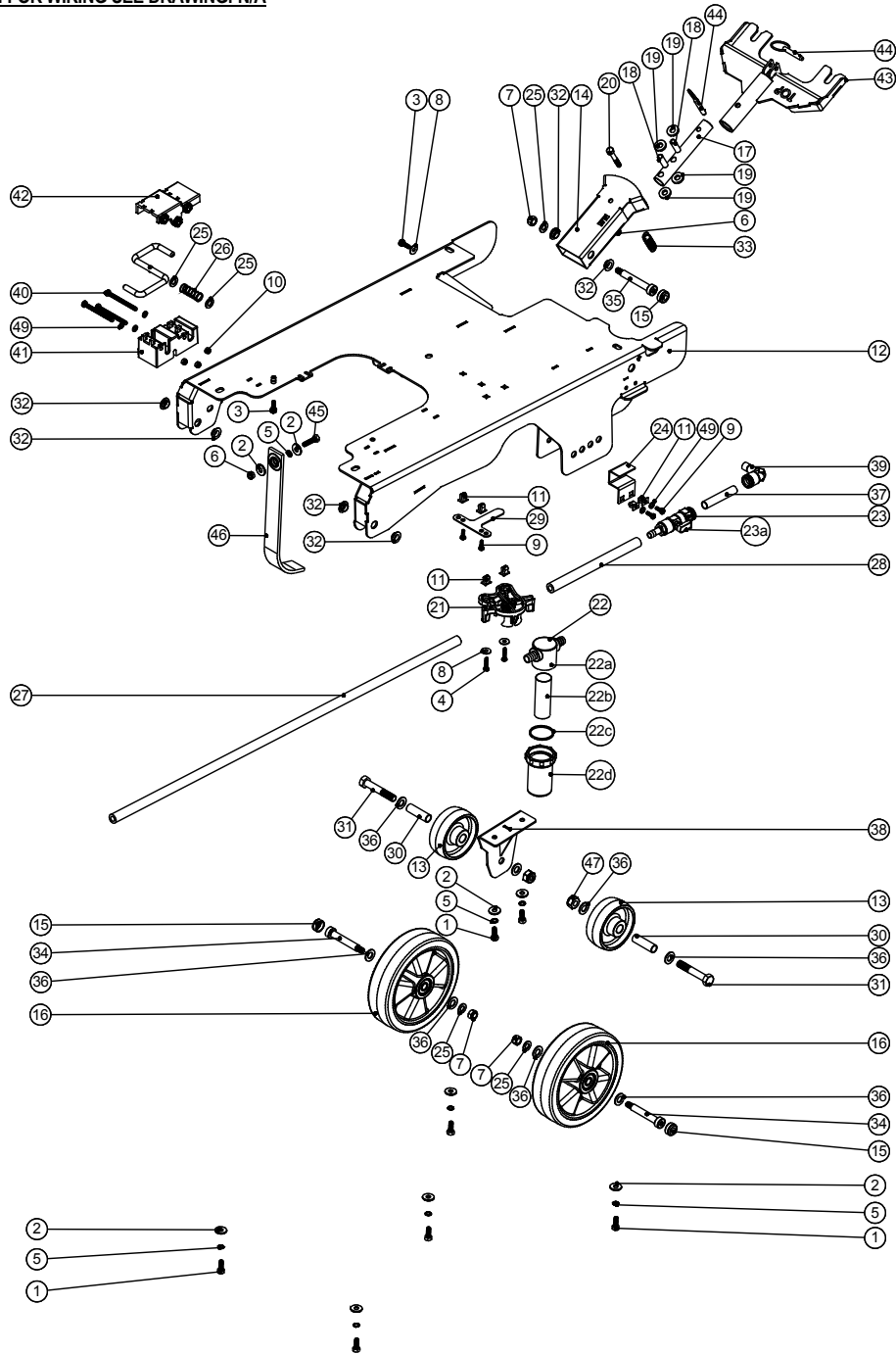
ITEM:	PART No:	DESCRIPTION	COMMENTS:	QTY
1	N/A	TTB.4055 TOP TANK MOULDING (GRAPHITE GREY)		1
2	219919	32MM-50MM STAINLESS STEEL HOSE CLIP		1
3	237381	INTEGRATED CHASSIS SEPARATOR		1
4	392200	FILTER GASKET RING		1
5	237090	SEPARATOR FLOAT MOULDING (MK 2)		1
6	237526	38MM RED DRAIN HOSE CONNECTOR		1
7	237018	38MM DRAIN HOSE CONNECTOR		1
8	902919	CLIP MOULDING (RED)		2
9	219852	NO6 X 1/2 LONG POZI PAN STAINLESS STEEL SELF TAP SCREW		4
10	219569	No8 X 1/2 INCH LONG POZI PAN STAINLESS STEEL PLASTITE SCREW		4
11	219310	RUBBER WASHER		2
12	206315	TUBE END PLUG		3
13	206265	TT/B 345 BARREL FILTER		1
14	206116	BLACK NUT		2
15	208591	NEW SEPARATOR GASKET		1
16	N/A	35MM X 690MM LONG 3:1 STRETCH HOSE (SHORT & LONG CUFF)		1
17	N/A	VAC HOSE 650MM X Ø38MM		1
18	237718	HOSE GUIDE		1
19	237382	ACETAL HOSE CLIP MOULDING		1
20	N/A	35MM X 250MM STRETCH HOSE (3:1) C/W ADJUSTABLE CUFF + CAP		1
20a	900903	HOSE CLOSURE REPLACEMENT KIT (35MM-38MM STRETCH HOSE)	SPARE ITEM	1
21	906070	MESHLESS FILTER BASKET		1
22	291135	M5 X 10MM LONG STAINLESS STEEL POZI PAN SEMS SCREW		2

# Numatic International Spare Parts

**Model No:** TGB4045/4055 EXPLODED VIEW: CHASSIS

**NB:** FOR WIRING SEE DRAWING: N/A

910871  
DRAWING: DRW-22935 ISS:A08  
03/07/2019



# Numatic International Spare Parts

**Model No:** TGB4045/4055 EXPLODED VIEW: CHASSIS

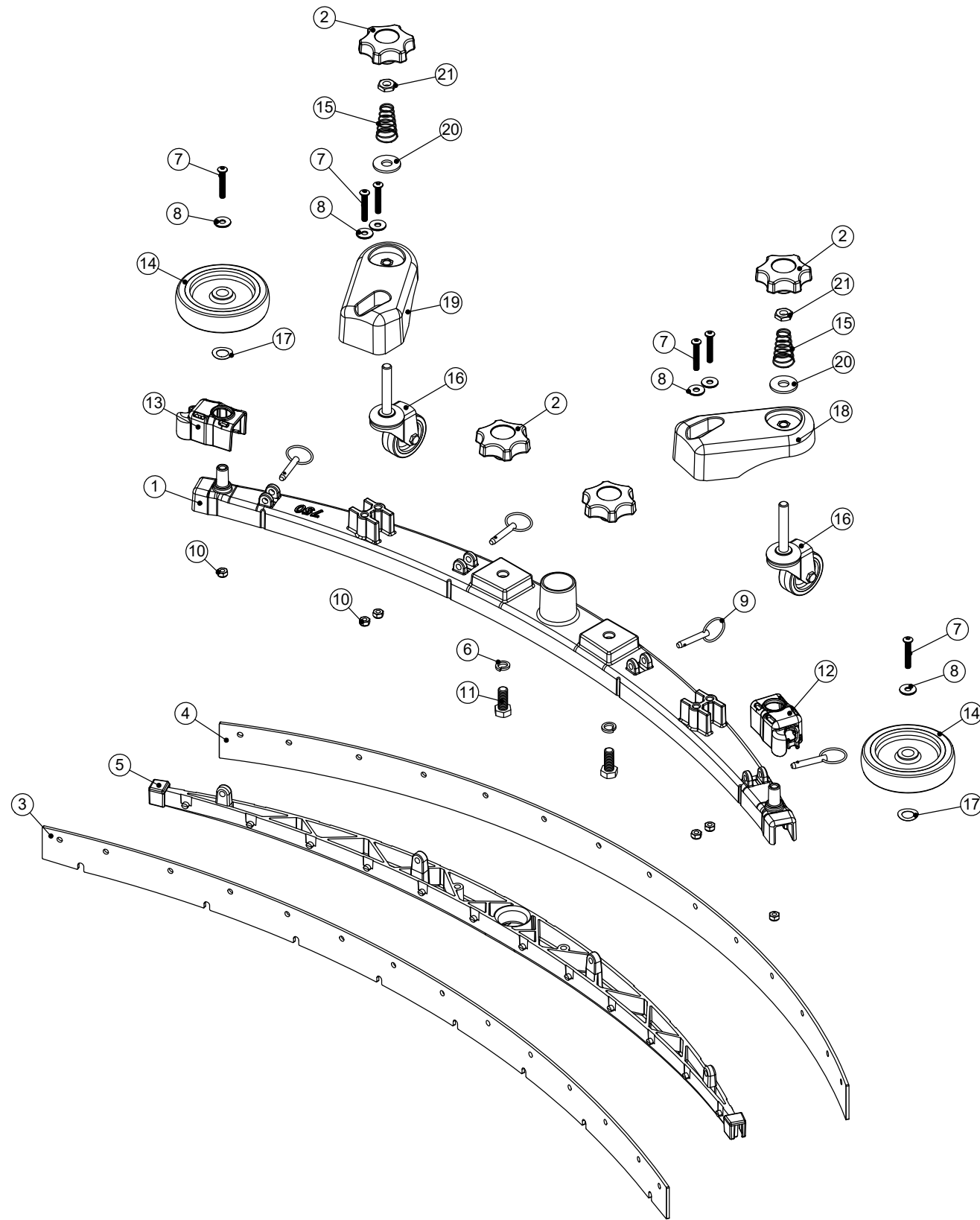
ITEM:	PART No:	DESCRIPTION	COMMENTS:	QTY
1	219719	M6 X 16MM LONG HEXAGONAL STAINLESS STEEL HEAD BOLT		7
2	219647	M6 FORM G STAINLESS STEEL WASHER		9
3	291132	M5 X 16MM LONG STAINLESS STEEL POZI PAN SEMS SCREW		2
4	219568	NO8.3/4 INCH LG.POZI-PAN.SCREW.STAINLESS STEEL.PLASTITE		2
5	902353	M6 EXTERNAL SHAKEPROOF WASHER STAINLESS STEEL		8
6	219642	M6 STAINLESS STEEL NYLON INSERT NUT		2
7	219639	M8 STAINLESS STEEL NYLON INSERT NUT		3
8	219644	M5 FORM G STAINLESS STEEL WASHER		3
9	219569	NO8 X 1/2 INCH LONG POZI PAN STAINLESS STEEL PLASTITE SCREW		4
10	219633	M5 STAINLESS STEEL NYLON INSERT NUT		3
11	900986	NYLON GROMMET NUT (PLASTIC INSERT TO SUIT No 8 PLASTITE SCREW)		6
12	903559	TGB/4045/4055 CHASSIS WELD ASSY (12SWG M/S) PAINT SILVER		1
13	206713	80MM DIAMETER WHITE WHEEL		2
14	304359	TT/TTB/4045/4055 SQUEEGEE MOUNT WELD ASSEMBLY		1
15	237632	SHOULDER BOLT COVER		3
16	N/A	160mm WHEEL WITH POLYURETHENE TYRE		2
17	304356	FLOOR TOOL PIVOT TUBE		1
18	206954	SPIRO SPACER		2
19	206964	SLIDE NYLON SPACER		4
20	291125	M6 X 40 LONG HEX BOLT STAINLESS STEEL		1
21	901006	FILTER MOUNTING BRACKET		1
22	208888	EXTENDED STRAINER		1
22a	208827	STRAINER BLACK TOP	SPARE PART	1
22b	208889	EXTENDED STRAINER 50 MESH SCREEN	SPARE PART	1
22c	208830	STRAINER GASKET	SPARE PART	1
22d	208890	EXTENDED STRAINER CLEAR BOWL	SPARE PART	1
23	901542	12MM PUSH FIT TO 10MM HOSE TAIL BALL VALVE ASSEMBLY		1
23a	901544	TAP HANDLE C/W COVER AND M3X6MM SCREW (SPARE ITEM)	SPARE PART	1
24	392314	10MM TAP BRACKET		1
25	219578	M8 FORM A STAINLESS STEEL WASHER		5
26	208578	DECK LOCK SPRING		1
27	391453	SILICON TUBE 750MM LONG X 8MM I/D X 3.2MM WALL SECTION		1
28	391452	SILICON TUBE 8MM I/D X 3.2MM WALL SECTION (CUT 190MM)		1
29	321902	SILENCER CLAMP		1
30	391440	1/2 INCH X 18G X 41MM LONG STAINLESS STEEL SPACER TUBE		2
31	219894	M10 X 60MM LONG HEXAGONAL STAINLESS STEEL BOLT		2
32	208312	IGUS BEARING (GFM 101205)		6
33	208619	FLOOR TOOL SPRING		1
34	291057	M8 X 10 X 55MM LONG HEX SOCKET SHOULDER BOLT		2
35	208574	M8 X 10 X 60MM LONG HEX SOCKET SHOULDER BOLT		1
36	219903	M10 FORM A STAINLESS STEEL WASHER		8
37	901553	NYLON TUBE 12MM OD X 10MM ID (65MM)		1
38	903611	TGB TRANSPORT WHEEL BRACKET WELD ASSEMBLY PAINT SILVER		1
39	901545	ELBOW ANGLE CONNECTOR 12MM PUSH IN TO 12MM STEM		1
40	901558	M5 X 60MM STAINLESS STEEL POZI PAN MACHINE SCREW		3
41	901280	LATCH BLOCK BOTTOM MOULDING		1
42	901279	LATCH BLOCK TOP MOULDING		1
43	304466	FLOOR TOOL BRACKET ASSEMBLY (TT/TTB4045/4055)		1
44	206953	DETENT PINS		2
45	219925	M6 x 25MM LONG STAINLESS STEEL HEX SCREW		1
46	903683	ANTI-STATIC STRAP (CUT TO LENGHT: 270MM LONG)		1
47	219897	M10 STAINLESS STEEL NYLON INSERT NUT		2
48	904440	DECK LATCH BAR		1
49	219355	M5 FORM A STAINLESS STEEL WASHER		5

# Numatic International Spare Parts

**Model No:** 750 TWINTEC ALUMINIUM FLOOR TOOL  
(38MM HOSE, RED TRIM, SERILOR BLADES)

Internal Code: 903853  
DRAWING: DRW-23157 ISS:A07  
PRO 27/03/2019

NB: FOR WIRING SEE DRAWING: WD-0???



# Numatic International Spare Parts

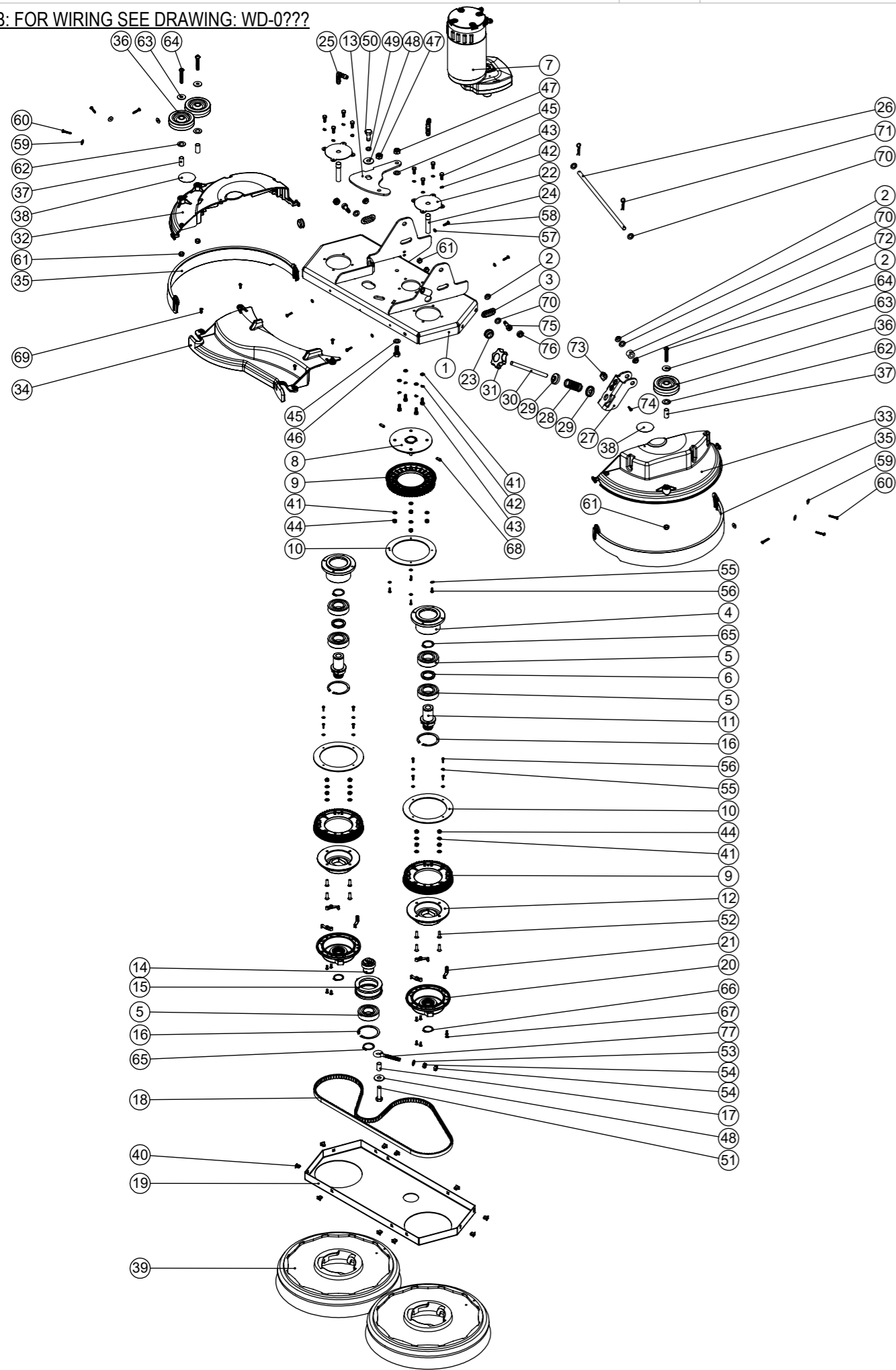
**Model No:** 750 TWINTEC ALUMINIUM FLOOR TOOL (38MM HOSE, RED TRIM, SERILOR BLADES)

ITEM:	PART No:	DESCRIPTION	QTY.
1	208637	(750MM SCRUB WIDTH) ALUMINIUM SQUEEGEE CASTING (38MM HOSE FITTING)	1
2	903281	M10 LOBE KNOB (RED)	4
3	208968	750MM SCRUB WIDTH REPLACEMENT FRONT BLADE (968MM LONG)	1
4	208971	750MM SCRUB WIDTH REPLACEMENT REAR BLADE (1000MM LONG)	1
5	903848	(750MM SCRUB WIDTH) RED BLADE HOLDER MOULDING (SLOPING PROFILE) (32MM & 38MM HOSE FITTING)	1
6	219899	M10 SINGLE COIL STAINLESS STEEL WASHER	2
7	219933	M6 X 35MM SOCKET BUTTON HEAD BOLT STAINLESS STEEL	6
8	219647	M6 FORM G STAINLESS STEEL WASHER	6
9	206953	DETENT PINS	4
10	219642	M6 STAINLESS STEEL NYLON INSERT NUT	6
11	219909	M10 X 25MM LONG HEXAGONAL STAINLESS STEEL SCREW	2
12	237322	RIGHT HAND FLOOR TOOL CLIP MOULDING	1
13	237323	LEFT HAND FLOOR TOOL CLIP MOULDING	1
14	208796	4 INCH WHEEL	2
15	229175	CONICAL SPRING	2
16	907759	50MM DIAMETER GREY TPR TYRED SWIVEL CASTOR C/W M10 X 60 SWAGED STEM.	2
17	219891	13MM WAVEY WASHER	2
18	906860	ADJUSTABLE FLOOR TOOL CASTOR PLASTIC PLATE LEFT	1
19	906859	ADJUSTABLE FLOOR TOOL CASTOR PLASTIC PLATE RIGHT	1
20	291124	M10 PENNY WASHER STAINLESS STEEL	2
21	219951	A4 (STAINLESS STEEL) M10 HEX LOCK NUT (HALF NUT)	2

# Numatic International Spare Parts

Model No: TWIN BRUSH DECK ASSY

NB: FOR WIRING SEE DRAWING: WD-0???



Internal Code: 905419  
 DRAWING: DRW-23622 ISS:A11  
 PRO 10/09/2021

# Numatic International Spare Parts

Model No: TWIN BRUSH DECK ASSY

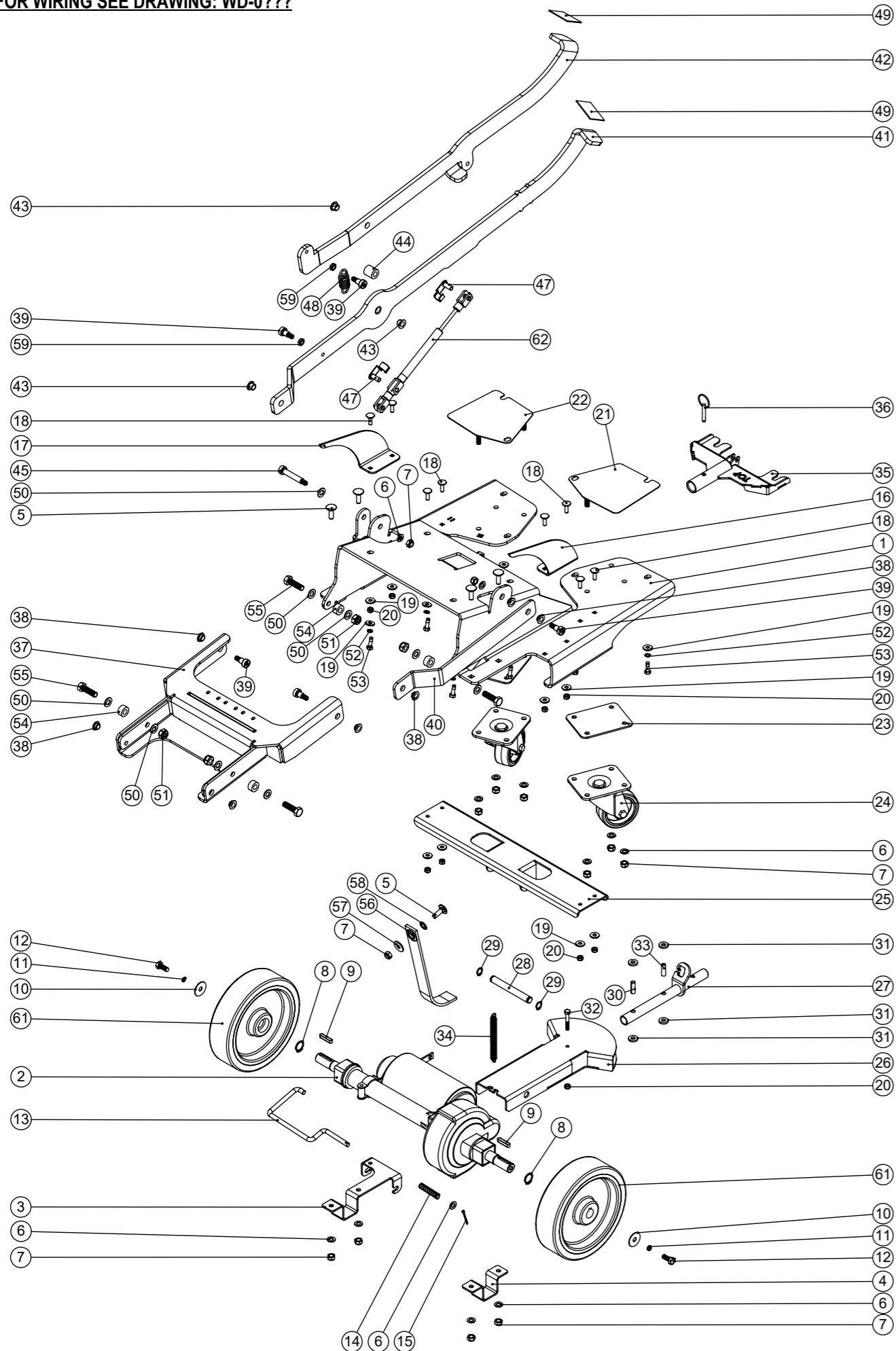
ITEM:	PART No:	DESCRIPTION	QTY.
1	905338	TWIN BRUSH DECK WELD ASSY ZINC PLATED	1
2	208330	IGUS BEARING (GFM 101206)	4
3	237162	SLIDER BUSH	2
4	903420	BEARING HOUSING	2
5	208878	BEARING I/D30MM O/D62MM	5
6	903439	SPACER O/D 40MM X I/D 30MM X 5MM	2
7	205192	MRP6 IP20 AMER MOTOR	1
8	904836	BRUSH MOTOR PULLEY PLATE WELD ASSY ZINC PLATED	1
9	237680	LARGE PULLEY 56TH	3
10	903423	PULLEY FLANGE PLATE	3
11	903421	BRUSH PULLEY SHAFT	2
12	903440	PULLEY MOUNTING ADAPTER	2
13	903619	TENSIONER PIVOT PLATE ZINC PLATED	1
14	903419	TENSIONER SHAFT	1
15	903424	IDLER	1
16	230200	62MM INTERNAL CIRCLIP	3
17	903429	1/2 INCH DIA X 18G S/S TUBE (0.022)	1
18	903438	BELT (GATES GT4 - 1440 - 8MGT - 12)	1
19	903428	TWIN BRUSH DECK - MAIN PLATE COVER	1
20	230285	MODIFIED CHUCK (CRO)	2
21	237730	SPRING CLIP	6
22	903432	TWIN BRUSH WATER FEED PLATE	2
23	208143	20MM GROMMET X 6MM PANEL THICKNESS	2
24	903446	MOTOR SHAFT INSERT	2
25	903641	10MM HOSETAIL ELBOW	2
26	905317	PIVOT ROD	1
27	905398	BRUSH DECK PITCH ADJUSTER ZINC PLATED	1
28	208721	COMPRESSION SPRING	1
29	905319	SPRING RETAINER MOULDING MODIFIED	2
30	905316	M10 X 140MM LONG STAINLESS STEEL THREADED BAR	1
31	903281	M10 LOBE KNOB (RED)	1
32	903433	TWIN BRUSH RH DECK MOULDING	1
33	903434	TWIN BRUSH LH DECK MOULDING	1
34	905071	TWIN BRUSH CENTRE DECK MOULDING	1
35	903437	TWIN BRUSH DECK SPLASH SKIRT	2
36	204068	3 INCH GREY WHEEL	3
37	391224	1/2 INCH DIA X 18G S/S TUBE (0.026)	3
38	903845	DO NOT STAND HERE WARNING LABEL Ø50MM	2
39	903449	370MM POLYSCRUB BRUSH	2
40	900986	NYLON GROMMET NUT (PLASTIC INSERT TO SUIT No 8 PLASTITE SCREW)	10
41	219870	M6 FORM A WASHER STAINLESS STEEL	16
42	219718	WASHER.M6.SPRING.STAINLESS STEEL	12
43	219719	M6 X 16MM LONG HEXAGONAL STAINLESS STEEL HEAD BOLT	12
44	219642	M6 STAINLESS STEEL NYLON INSERT NUT	12
45	219903	M10 FORM A STAINLESS STEEL WASHER	2
46	219909	M10 X 25MM LONG HEXAGONAL STAINLESS STEEL SCREW	1
47	219897	M10 STAINLESS STEEL NYLON INSERT NUT	2
48	291124	M10 PENNY WASHER STAINLESS STEEL	2
49	219899	M10 SINGLE COIL STAINLESS STEEL WASHER	1
50	291141	M10 X 25MM LG HEX HEAD SCREW STAINLESS STEEL C/W THREADLOCK	1
51	903430	M10 X 40MM LONG HEXAGONAL STAINLESS STEEL SCREW	1
52	903441	M6 X 20MM LONG STAINLESS STEEL COUNTERSUNK POZI SCREW	8
53	219578	M8 FORM A STAINLESS STEEL WASHER	1
54	219079	M8 PLAIN NUT	2
55	219688	M4 FORM A STAINLESS STEEL WASHER	12
56	291061	No6 X 1/2 INCH LONG POZI PAN PLASTITE SCREW (STAINLESS STEEL)	12
57	219355	M5 FORM A STAINLESS STEEL WASHER	4
58	219568	NO8.3/4 INCH LG.POZI-PAN.SCREW.STAINLESS STEEL.PLASTITE	4
59	219644	M5 FORM G STAINLESS STEEL WASHER	6
60	219369	No8 X 1 INCH LONG POZI PAN STAINLESS STEEL PLASTITE SCREW	6
61	219639	M8 STAINLESS STEEL NYLON INSERT NUT	5
62	219302	M12 FORM B STAINLESS STEEL WASHER	3
63	219716	M8 FORM G STAINLESS STEEL WASHER	3
64	219822	M8 X 45MM LONG SOCKET BUTTON STAINLESS STEEL HEAD BOLT	3
65	903435	30MM EXTERNAL CIRCLIP	3
66	230048	26MM EXTERNAL CIRCLIP	2
67	219683	No6 X 3/8 INCH LONG POZI PAN BLACK COUNTERSUNK PLASTITE SCREW	12
68	291139	6MM X 16MM STAINLESS STEEL ROLL PIN	2
69	219569	No8 X 1/2 INCH LONG POZI PAN STAINLESS STEEL PLASTITE SCREW	4
70	219964	NYLON WASHER (18MM O/D X 10.4MM I/D X 3MM THICK)	5
71	291102	SMALL R PIN (S MASTERS 89100 SS)	2
72	905320	NYLON SPACER ID 10.2MM X OD 20MM X LENGTH 15MM	1
73	903644	CRO LIFTING MECH CAM	1
74	219370	No8 X 5/8 INCH LONG PLASTITE STAINLESS STEEL SCREW	1
75	208332	M8 X 10 X 16MM LONG HEX SOCKET SHOULDER BOLT	2
76	237632	SHOULDER BOLT COVER	2
77	914423	M8 X 70mm Eye Bolt Zinc Plated	1

# Numatic International Spare Parts

**Model No:** TGB 8572 / TBL 8572 NX CHASSIS ASSY

**NB:** FOR WIRING SEE DRAWING: WD-0???

Internal Code: 905415, 917565  
 DRAWING: DRW-24707 ISS:A09  
 11/09/2023



# Numatic International Spare Parts

**Model No:** TGB 8572 / TBL 8572 NX CHASSIS ASSY

ITEM:	PART No:	DESCRIPTION	COMMENTS:	TGB8572 / QTY.	TBL8572/QT Y.
1	905347	TGB 8572 CHASSIS WELD ASSY		1	1
2	206724	TRANSAXLE		1	1
3	392089	TRANSAXLE CLAMP AND BRAKE LEVER BRACKET		1	1
4	329497	TRANSAXLE MOUNTING BRACKET		1	1
5	902010	M8 X 25 COACH BOLT S/S		5	5
6	219578	M8 FORM A STAINLESS STEEL WASHER		13	13
7	219639	M8 STAINLESS STEEL NYLON INSERT NUT		15	15
8	219889	19MM HEAVY DUTY CIRCLIP		2	2
9	206744	6MM X 6MM X 32MM FEATHER KEY		2	2
10	219877	M8 X 30 STAINLESS STEEL WASHER		2	2
11	219898	M8 SINGLE COIL STAINLESS STEEL WASHER		2	2
12	219717	M8 X 20MM LONG HEXAGONAL STAINLESS STEEL BOLT		2	2
13	303769	BRAKE LEVER		1	1
14	219326	50MM LONG COMPRESSION SPRING		1	1
15	219171	3.2MM X 28MM SPLIT COTTER PIN		1	1
16	905348	TGB 8572 WHEEL ARCH BRACKET LH		1	1
17	905349	TGB 8572 WHEEL ARCH BRACKET RH		1	1
18	905350	M6 X 20 COACH BOLT S/S		8	8
19	219647	M6 FORM G STAINLESS STEEL WASHER	BOTTOM TANK FASTENERS X8	16	16
20	219642	M6 STAINLESS STEEL NYLON INSERT HALF NUT		9	9
21	303981	CASTOR PLATE (LEFTHAND SIDE)		1	1
22	303980	CASTOR PLATE (RIGHTHAND SIDE)		1	1
23	329581	CASTOR ADAPTOR SPACER		2	2
24	N/A	HEAVY DUTY CASTOR. BLUE TYRE (Item:204116)		2	2
25	905352	FLOOR TOOL LIFTING BRACKET SILVER GREY		1	1
26	303932	FLOOR TOOL LIFTING PLATE WELDED ASSEMBLY		1	1
27	905731	TGB8572 FLOOR TOOL PIVOT TUBE ASSEMBLY		1	1
28	206965	PIVOT AXLE		1	1
29	905563	13MM EXTERNAL CIRCLIP ST/ST		2	2
30	206954	SPIRO SPACER		1	1
31	206964	SLIDE NYLON SPACER		4	4
32	291125	M6 X 40 LONG HEX BOLT STAINLESS STEEL		1	1
33	206963	VERTICAL NYLON SPACER		1	1
34	20695V	SPRING		1	1
35	304466	FLOOR TOOL BRACKET ASSEMBLY (TT/TTB4045/4055)		1	1
36	206953	DETENT PINS		1	1
37	905322	LINK ARM WELD ASSY		1	1
38	208330	IGUS BEARING (GFM 101206)		7	7
39	208313	M8 X 10 X 12MM LONG HEX SOCKET SHOULDER BOLT		5	5
40	905326	BRUSH DECK LIFTING LINK		1	1
41	905345	FOOT PEDAL LEVER ZINC PLATED		1	1
42	404120	EXTRA PRESSURE DECK ARM (ZINC PLATED) (PRESSURE OFF VERSION)		1	1
43	208331	IGUS BEARING (GFM 101209)		3	3
44	208350	NYLON SPACER I/D 10.2MM X O/D 20.0MM X LENGTH 21.0MM		1	1
45	208333	M8 X 10 X 50MM LONG HEX SOCKET SHOULDER BOLT		1	1
46	208325	TTV5565 GAS STRUT		1	-
47	208634	GAS RAM CLEVIS CLIP		2	2
48	208555	PRESSURE OFF SPRING		1	1
49	903064	FOOT PEDAL PAD (RED)		2	2
50	219903	M10 FORM A STAINLESS STEEL WASHER		9	9
51	219897	M10 STAINLESS STEEL NYLON INSERT NUT		4	4
52	902353	M6 EXTERNAL SHAKEPROOF WASHER STAINLESS STEEL	BOTTOM TANK FASTENERS	6	6
53	291144	M6 X 20MM LG HEX HEAD SCREW STAINLESS STEEL C/W THREADLOCK	BOTTOM TANK FASTENERS	8	8
54	905732	NYLON SPACER ID 10.2MM X OD 20MM X LENGTH 10MM		4	4
55	219895	M10 X 35MM LONG HEXAGONAL STAINLESS STEEL SCREW		4	4
56	903683	ANTI-STATIC STRAP (CUT TO LENGHT: 270MM LONG)		1	1
57	219716	M8 FORM G STAINLESS STEEL WASHER		1	1
58	291062	M10 INTERNAL LOCK WASHER STAINLESS STEEL		1	1
59	219751	M8 STAINLESS STEEL HALF NUT		2	2
60	204115	200MM X 50MM TRACTION WHEEL - GREY PU TREAD COMBED PROFILE		2	-
61	901209	200 X 50 TRACTION WHEEL (PLASTIC)		-	2
62	N/A	280N GAS RAM (Item:208623)		-	1

# Numatic International Spare Parts

Model No: TGB 8572 TOP TANK ASSY

Internal Code: 905416  
 DRAWING: DRW-24711 ISS:A08  
 11/10/2022

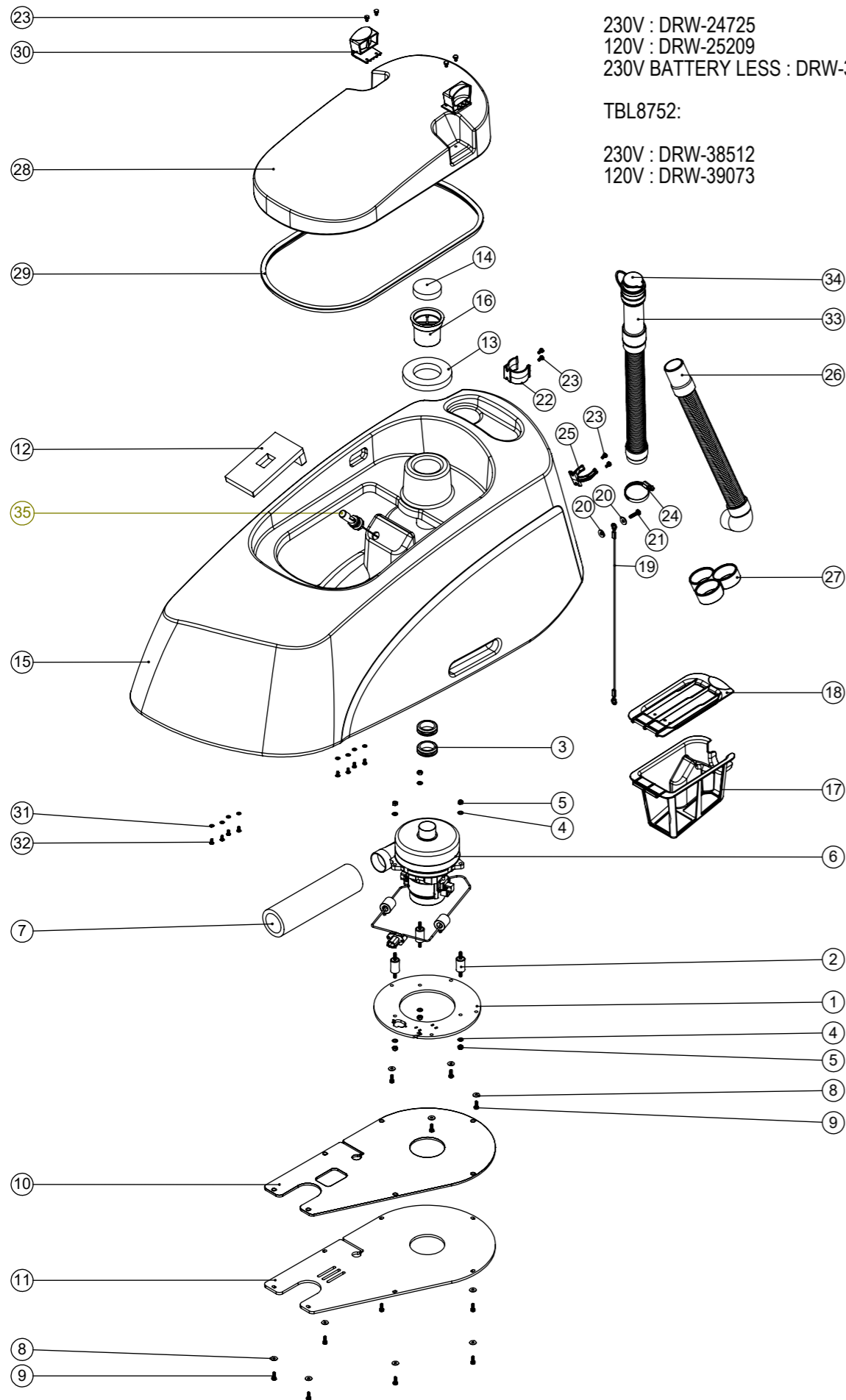
NB: FOR WIRING SEE DRAWING:

TGB-8572:

230V : DRW-24725  
 120V : DRW-25209  
 230V BATTERY LESS : DRW-37196

TBL8752:

230V : DRW-38512  
 120V : DRW-39073



# Numatic International Spare Parts

Model No: TGB 8572 TOP TANK ASSY

ITEM NO.	Item_No	DESCRIPTION	COMMENTS:	QTY.
1	905358	TANGENTIAL VAC MOTOR BRACKET (PP)		1
2	208334	30MM x 20MM ANTI VIBRATION MOUNT		3
3	208144	38MM GROMMET X 6MM PANEL THICKNESS		2
4	219560	M6 FORM B STAINLESS STEEL WASHER		6
5	219642	M6 STAINLESS STEEL NYLON INSERT NUT		6
6	915803	24V TANGENTIAL DISCHARGE 2-STAGE VAC MOTOR & PLUG ASSEMBLY + CHOKE		1
7	208306	SILENCER FOAM TUBE		1
8	219644	M5 FORM G STAINLESS STEEL WASHER		11
9	291132	M5 X 16MM LONG STAINLESS STEEL POZI PAN SEMS SCREW		11
10	905360	VAC MOTOR BOTTOM PLATE LINER		1
11	905359	VAC MOTOR BOTTOM PLATE		1
12	907225	FLOAT PAD ( FOR 85L TANK)		1
13	208947	INNER FOAM FILTER/OUTER FOAM FILTER		1
14		INNER FOAM FILTER/OUTER FOAM FILTER		
15	906135	TGB 8572 TOP TANK		1
16	237688	FOAM FILTER BODY		1
17	903283	FILTER BASKET (RED)		1
18	903284	PROCESSED FILTER BASKET LID (RED)		1
19	N/A	495MM LONG LIFTING LINK WIRE (Item: 208204)		1
20	219647	M6 FORM G STAINLESS STEEL WASHER		2
21	902232	M6 X 25MM LONG POZI PAN SCREW STAINLESS STEEL		1
22	237382	ACETAL HOSE CLIP MOULDING		1
23	291135	M5 X 10MM LONG STAINLESS STEEL POZI PAN SEMS SCREW		8
24	219919	32MM-50MM STAINLESS STEEL HOSE CLIP		1
25	237754	35-38MM HOSE CLIP		1
26	280021	35MM X 1000MM LONG 3:1 STRETCH HOSE (SHORT & LONG CUFF)		1
27	237718	HOSE GUIDE		1
28	903043	GRAPHITE GREY SEPARATOR HOOD MOULDING		1
29	391319	SEPERATOR SEALING STRIP		1
30	902919	CLIP MOULDING (RED)		2
31	219355	M5 FORM A STAINLESS STEEL WASHER	TANK HINGE FASTENERS	8
32	291004	M5 X 10MM LONG STAINLESS STEEL BUTTON HEAD SCREW	TANK HINGE FASTENERS	8
33	901548	35MM X 250MM STRETCH HOSE (3:1) C/W ADJUSTABLE CUFF + CAP		1
34	900903	HOSE CLOSURE REPLACEMENT KIT	SPARE PART	1
35	902234	FLOAT SWITCH (N.C)	903038 SPARE END TIP	1